

LSAS SURFACE DATA FILES

LSAS SURFACE DATA FILES

Table of Contents

1.0	Introduction	1
1.1	Description of LSAS.....	1
1.2	Background of Surface Data File Creation.....	1
1.3	Frequency of File Creation	2
1.4	Security and Disclaimer	2
1.5	Contact Personnel	2
2.0	Functional Description of Records in Each File.....	3
2.1	Overview.....	3
2.2	ATSLAND File.....	3
2.3	PBLLAND File.....	5
2.4	ACTIVITY File	5
2.5	CLIENT File	6
2.6	DOC DATA File.....	6
3.0	Record / File Relationships	7
3.1	Relationships.....	7
3.2	ATSLAND File.....	8
3.3	PBLLAND File.....	9
3.4	CLIENT File	10
3.5	ACTIVITY File	11
3.6	DOC DATA File.....	14

- 4.0 Record Data Definitions15**
 - 4.1 ATSLAND File.....15
 - 4.1.1 Record Relationships
 - 4.1.2 ATSLAND Record A
 - 4.1.3 ATSLAND Record B - Format 1
 - 4.1.4 ATSLAND Record B - Format 2
 - 4.1.5 ATSLAND Record C - Format 1
 - 4.1.6 ATSLAND Record C - Format 2
 - 4.1.7 ATSLAND Record D - Format 1
 - 4.1.8 ATSLAND Record D - Format 2
 - 4.1.9 ATSLAND Record E - Format 1
 - 4.1.10 ATSLAND Record E - Format 2
 - 4.1.11 ATSLAND Record F
 - 4.2 PBLLAND File25
 - 4.2.1 Record Relationships
 - 4.2.2 PBLLAND Record A
 - 4.2.3 PBLLAND Record B - Format 1
 - 4.2.4 PBLLAND Record B - Format 2
 - 4.2.5 PBLLAND Record C - Format 1
 - 4.2.6 PBLLAND Record C - Format 2
 - 4.2.7 PBLLAND Record D - Format 1
 - 4.2.8 PBLLAND Record D - Format 2
 - 4.2.9 PBLLAND Record E - Format 1
 - 4.2.10 PBLLAND Record E - Format 2
 - 4.2.11 PBLLAND Record F
 - 4.3 ACTIVITY File33
 - 4.3.1 Record Relationships
 - 4.3.2 ACTIVITY Record A - Encumbrance
 - 4.3.3 ACTIVITY Record A - Geoadmin
 - 4.3.4 ACTIVITY Record A - Interim
 - 4.3.5 ACTIVITY Record A - Posting
 - 4.3.6 ACTIVITY Record A - Reservation
 - 4.3.7 ACTIVITY Record A - Surface Disposition
 - 4.3.8 ACTIVITY Record A - Subdivision
 - 4.3.9 ACTIVITY Record B - General Text
 - 4.4 CLIENT File45
 - 4.4.1 Record Relationships
 - 4.4.2 CLIENT Record A - Client
 - 4.4.3 CLIENT Record B - Name
 - 4.4.4 CLIENT Record C – Address
 - 4.5 DOC DATA File.....51
 - 4.5.1 Record Relationships
 - 4.5.2 DOC DATA Record A
 - 4.5.3 DOC DATA Record B

5.0 Record Layouts54

- 5.1 ATSLAND File.....54
 - 5.1.1 ATSLAND Record A - ATS Land
 - 5.1.2 ATSLAND Record B - Activities & Activity Text
 - 5.1.3 ATSLAND Record C - Exception Data & Text
 - 5.1.4 ATSLAND Record D - Crown Data & Text
 - 5.1.5 ATSLAND Record E - Freehold Data & Text
 - 5.1.6 ATSLAND Record F - General Remarks
- 5.2 PBLAND File.....65
 - 5.2.1 PBLAND Record A - PBL Land
 - 5.2.2 PBLAND Record B - Activities & Activity Text
 - 5.2.3 PBLAND Record C - Exception Data & Text
 - 5.2.4 PBLAND Record D - Crown Data & Text
 - 5.2.5 PBLAND Record E - Freehold Data & Text
 - 5.2.6 PBLAND Record F - General Remarks
- 5.3 ACTIVITY File78
 - 5.3.1 ACTIVITY Record A - Encumbrance
 - 5.3.2 ACTIVITY Record A - Geoadmin
 - 5.3.3 ACTIVITY Record A - Interim
 - 5.3.4 ACTIVITY Record A - Posting
 - 5.3.5 ACTIVITY Record A - Reservations
 - 5.3.6 ACTIVITY Record A - Surface Dispositions
 - 5.3.7 ACTIVITY Record A - Subdivisions
 - 5.3.8 ACTIVITY Record B - General Text
- 5.4 CLIENT File92
 - 5.4.1 CLIENT Record A - Client Detail
 - 5.4.2 CLIENT Record B - Names & Alias Names
 - 5.4.3 CLIENT Record C - Address & c/o Address
- 5.5 DOC DATA File.....99
 - 5.5.1 DOC DATA Record A – Doc Detail
 - 5.5.2 DOC DATA Record B – Version Date

APPENDICES102

- Appendix A - ATS Land Identifier
- Appendix B - Code/Decode Tables

1.0 INTRODUCTION

1.1 Description of LSAS

The Land Status Automated System (LSAS) is a computerized system used to record and access surface activity data on Crown lands and Crown mineral information. It replaced two manual record-keeping systems: the Surface Township Registry and the Mineral Township Records. LSAS uses the Integrated Database Management System (IDMS) software to integrate this data into a central data source. Basic administrative processes supported by LSAS include:

- . access to land standing information;
- . data capture and maintenance;
- . application approval;
- . disposition review; and
- . statistical and management reporting.

The most important aspect of the overall design of LSAS is the data structure. The major components of this structure are:

LAND All townships, sections, quarter sections, or LSDs as defined by the ATS structure. Also, parcels under plan of subdivision, in which the Crown has an interest, are defined.

ACTIVITIES All types of activities affecting both renewable and non-renewable resources.

CLIENT All individuals, companies and government agencies having an interest in public land.

DOC DATA Documentation Detail of Administrative Data

1.2 Background of Surface Data File Creation

Since implementation of LSAS, requests have been made for analysis of data to be conducted outside the LSAS system.

As the request varied depending on need, it was decided that a complete copy of LSAS (surface) data would be made available to the requesting agencies. Therefore; the agencies would then be able to select only the data relevant to their requirements.

1.3 Frequency of File Creation

Since user requests are infrequent, Complete Files are created once a month. Update Files of changes are created daily.

Users must therefore be aware that the data Files can only be considered temporarily valid at the date and time of creation.

1.4 Security and Disclaimer

These Files are provided on the condition that Her Majesty the Queen in the right of Alberta is in no way responsible for loss or damage arising from any errors or omissions contained on the files.

Further to the previous warning, the data is provided on condition the user accept two warnings which apply to the data on the files:

1. User should be aware that although changes or additions are verified as they are completed, there may be minor problems in the data which await discovery.
2. **The files represent a static temporal image of the database but LSAS is a dynamic, continually updated environment.**

1.5 Contact Personnel

Should further information be required, call Crown Resources Data & Services at 422-LSAS (or 422-5727).

2.0 FUNCTIONAL DESCRIPTION OF RECORDS IN EACH FILE

2.1 Overview

LSAS has made available four magnetic Files representing four major components of the database. Definitions of the elements and records are available in the Data Definitions Section (4.0).

LAND Broken into two sub-structures representing two standardized methods of identifying specific parcels. These sub-structures are the Alberta Township Survey (ATS) method and Plan/Block/Lot (PBL) method.

ACTIVITY Denotes the existence of an interest in land. This may be a physical activity or an expression of prior or current interest in the land. This information is written on a separate file.

CLIENT This component contains all name and address data for an individual, company or government agency and is written to a separate file.

DOC DATA Documentation Detail of Administrative Data

2.2 ATSLAND File

On the ATSLAND file, land is identified by the Alberta Township System. Every township, section and quarter section has a record occurrence. In addition, legal subdivisions (LSD), quadrants and quarter quadrants are stored as required. The records are stored with a sequential index using the ATS identifier. Land identifiers are hierarchical: each component is completely within the next higher component (i.e. a Township contains 36 sections and a section contains four quarters).

Additional land data records are stored on a single multi-member set:

<u>Record Name</u>	<u>Description</u>
EXCPTN	Exceptional situations identified by code
CRTITL	Crown Titles
PATENT	Patents (Freehold Titles) issued by notification
TEXT	Single lines of textual remarks data

These additional records are common to both land structure files.

2.3 PBLAND File

Land is referenced on the PBLAND file by the Plan, Block and Lot (PBL) identifier. Every plan number must have a corresponding occurrence of a SUBDVSN record (on the ACTIVITY file). PBLAND records are stored sequentially by their PBL identifier. These identifiers are also hierarchical (i.e. A Plan contains Blocks, each of which may contain Lots).

Additional land data is stored in the same record type and format as described for the ATS File. (2.2).

2.4 ACTIVITY File

Activities have a nine character identifier. The first three characters are an activity type code and the remaining up to seven characters are a sequential number assigned within a calendar year (first two digits = YY). The file includes the following data records and their associated text records:

<u>Record Name</u>	<u>Description</u>
SURFDSP	Surface Dispositions
RESRVTN	Reservations/Notations
ENCUMB	Encumbrances
POSTNG	Auction / Tender / Postings
INTERM	Interim Records generated by the Conversion Project
GEOADMIN	Geo-Administrative Areas
SUBDVSN	Subdivision Plans, which are also indexed by Subdivision Name
TEXT	Single lines of textual remarks data (i.e. SDTEXT record)

2.5 CLIENT File

Names, addresses and other pertinent data are contained in the following client records. Each Client name is assigned a unique client identifier. The client name identifier is seven digits in length and the client address identifier is three digits.

<u>Record Name</u>	<u>Description</u>
CLIENT	All data unique to the client
NAME	Primary and alias names used by the client. Individual names are surname first, corporate names are stored in the same format as the Companies Branch Information Service and government departments or agencies will have the primary name first.
ADDRESS	All addresses used by the client

2.6 DOC DATA File

Names and other pertinent data that are contained in the Documentation Administrative Data. Each record is assigned a unique activity identifier. The identifier is fourteen digits in length.

<u>Record Name</u>	<u>Description</u>
DOC DATA	All data that is unique to the activity

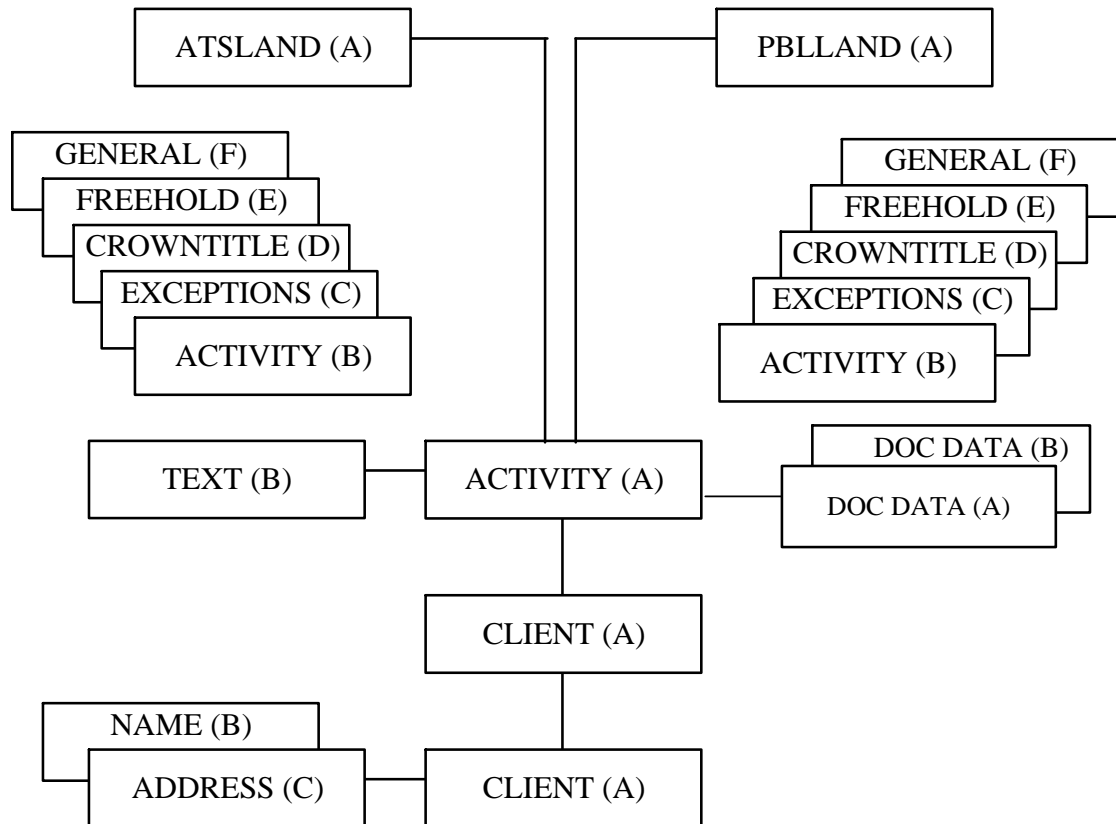
3.0 RECORD / FILE RELATIONSHIPS

3.1 Relationships

The physical relationships of records on the same file and the logical relationships of file to file are identified in the following sections.

By utilizing the various Akeys= on each of the files, one will be able to relate ATS & PBL to Activities to Client.

The ATS & PBL files identify all Activities attached to a parcel of land. Using this Activity, one can locate the Activity on the ACTIVITY file. The ACTIVITY file identifies the Client and Address Number of the owner of the ACTIVITY, enabling one to locate the client data on the CLIENT file. By utilizing the Akeys=, one is able to go from land (ATS/PBL) - Activity - Client, Activity - Land, Activity - Client, Client - Activity - Land.



3.2 ATSLAND File

Relationship to:

DOC DATA File: No direct relationship

PBLLAND File: No direct relationship

CLIENT File: No direct relationship

ACTIVITY File: Each ATSLAND referenced may be associated to none, one or several activities. The relationships from the ATSLAND to ACTIVITY file are established as follows:

- for each ACTIVITY associated to the ATSLAND:
 - One ATSLAND record code >B= with an ACTIVITY Type code in position 2, ACTIVITY code in positions 3-15, and a sequence number of 000 will be encountered.
 - None, one or several associated ATSLAND records coded >B= with an ACTIVITY TYPE in position 2, ACTIVITY code in positions 3-15, and a sequence number of greater than 000 may be encountered.
 - The above mentioned ACTIVITY TYPE code identifies the >type grouping= (on the ACTIVITY file) in which the ACTIVITY will be encountered. Please refer to table ACTAD002 or ACTTYP01 to determine the valid type codes and the associated type groupings.
 - i.e. An ACTIVITY TYPE code of >S= will be associated to activity codes MSL999999, LOC999999, PLA999999. To locate these ACTIVITIES, please review the surface disposition type group of the ACTIVITY File.

3.3 PBLLAND File

Relationship to:

DOC DATA File: No direct relationship

ATSLAND File: No direct relationship

CLIENT File: No direct relationship

ACTIVITY File: Each PBLLAND reference may be associated to none, one or several activities. The relationships from the PBLLAND to ACTIVITY File are established as follows:

- for each ACTIVITY associated to the PBLLAND:
 - One record code >B= with an ACTIVITY TYPE in position 2, ACTIVITY code in positions 3-15, and a sequence number of 000 will be encountered.
 - None, one or several associated records coded >B= with an ACTIVITY TYPE in position 2, ACTIVITY code in positions 3-15, and a sequence number of greater than 000 may be encountered.
 - The above mentioned ACTIVITY TYPE code identifies the >type grouping= (on the ACTIVITY file) in which the ACTIVITY will be encountered. Please refer to table ACTAD002 or ACTTYP01 to determine the valid type codes and the associated type groupings.
 - i.e. An ACTIVITY TYPE code of >S= will be associated to activity codes MSL999999, LOC999999, PLA999999. To locate these ACTIVITIES, you will have to review the surface disposition type group of the ACTIVITY file.

3.4 CLIENT File

Relationship to:

DOC DATA File: No direct relationship

ATSLAND File: No direct relationship

PBLLAND File: No direct relationship

ACTIVITY File: Each CLIENT reference may be associated to none, one or several activities. The relationships from the CLIENT to ACTIVITY file are established as follows:

- If a CLIENT is associated to an ACTIVITY, then the CLIENT NUMBER will be encountered in the ACTIVITY record A. Please refer to the ACTIVITY record definition for field name characteristics.

3.5 ACTIVITY File

Relationship to:

ATSLAND File: Each ACTIVITY code must be associated to at least one or more ATSLAND references. The relationships from ACTIVITY to ATSLAND file are established as follows:

- Each ACTIVITY record code >A=, keyed by ACTIVITY TYPE code and ACTIVITY code, will have at least one associated ATSLAND record code AB≅ with an identical ACTIVITY TYPE code and ACTIVITY code.
- Only ATSLAND records with the broadest possible ATS land grouping will be encountered for these ACTIVITY records. i.e. If the ACTIVITY covers an entire section, ATSLAND record will signify the section as a land reference - further quarter-section, quadrant, etc. records will NOT be encountered for that section.

Exceptions:

- ACTIVITY records with activity TYPE code >I= or status codes '7' and '9', may not follow the above rules.

PBLLAND File: Each ACTIVITY code may have been associated to one or more PBLLAND references. The relationships from ACTIVITY to PBLLAND file are established as follows:

- Each ACTIVITY record code >A=, keyed by activity TYPE code and ACTIVITY code, may have one or more associated PBLLAND record code >B=, with an identical ACTIVITY TYPE code and identical ACTIVITY code.
- Each ACTIVITY record code >A= with an ACTIVITY TYPE code >U= will have at least one associated PBLLAND record code >B= with an identical ACTIVITY TYPE code and identical ACTIVITY code.

LSAS SURFACE DATA FILES

Revised: September 8, 2009

DOC DATA File: Each DOC DATA record must have a related Activity. Each Activity does not require an associated DOC DATA Record.

CLIENT File: Each ACTIVITY code is associated to one or more CLIENTs, the first client being the Service Client. The relationships from activity to CLIENT file are established as follows:

- Each ACTIVITY record code >A= keyed by CLIENT ID will have an associated CLIENT file record code >A= with an identical CLIENT NUMBER.
- Each ACTIVITY record code >A= keyed by CLIENT ID and ADDRESS will have an associated CLIENT file record code >C= with identical CLIENT NUMBER and identical ADDRESS NUMBER.

3.6 DOC DATA File

Relationship to:

CLIENT File: No direct relationship

ATSLAND File: No direct relationship

PBLLAND File: No direct relationship

ACTIVITY File: The Activity must exist

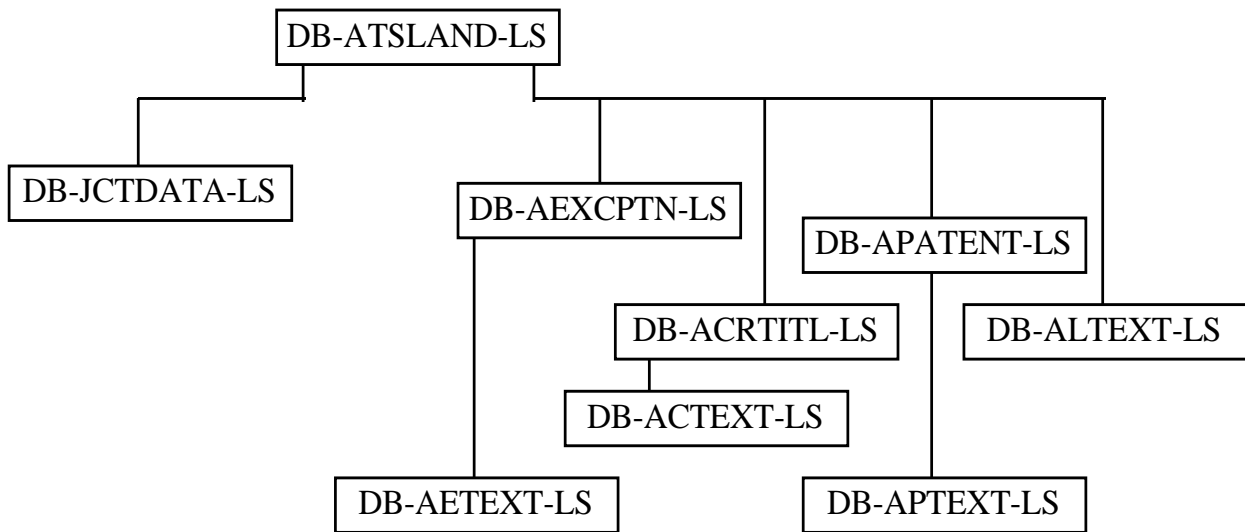
4.0 RECORD / DATA DEFINITIONS

4.1 ATSLAND File

4.1.1 Record Relationships

Relationships of file records to file layout records (excluding primary and secondary keys).

<u>File Record</u>	<u>File Layout Record</u>
A	DB-ATSLAND-LS
B	DB-JCTDATA-LS
C	DB-AEXCPTN-LS & DB-AETEXT-LS
D	DB-ACRTITL-LS & DB-ACTEXT-LS
E	DB-APATENT-LS & DB-APTEXT-LS
F	DB-ALTEXT-LS



4.1.2 ATSLAND Record A

<u>Field Name</u>	<u>Definition</u>
Record Code	Used as secondary sort key (must contain 'A').
Filler	N/A
Internal Land Key	Used as primary sort key (Appendix A for internal - external conversion).
Atsland id	ATS land identification.
Creation Date	Initial addition of ATSLAND record to LSAS (cyymmdd).
Last Update Date	Latest update to contents of ATSLAND record A (cyymmdd).
Last Update Time	Time of latest update to contents of ATSLAND record A (hhmmss).
Surface Ownership Code	Ownership of the ATS parcel of land displayed. Crown, Freehold, Mixed (both Crown and Freehold occur on apportionments of the parcel), Other (portion of parcel exists which could not be accurately defined, is also defaulted when parcel of land is created at LSD level or lower).
Title Status Code	Indicates whether or not title has been issued and is resident at the Land Titles office. Titled, Untitled, Mixed (apportionments of the parcel can be titled and untitled), Other (portion of parcel exists which could not be accurately defined, is also defaulted when parcel of land is created at LSD level or lower).
Surface Admin Code	Crown agency or agencies that administer part of or all the ATS land parcel. (valid codes described in table LNDSURAD).
Additional Data Code	Indicates the existence of additional data for the parcel. Additional data is housed on one or more ATSLAND File records C - F: 0=none 1=C 2=D 3=C,D 4=E 5=C,E 6=D,E 7=C,D,E
Active Flag	Indicates whether any related Activities exist ('Y' or 'N').
Approved Flag	Indicates (Yes) if parcel was consciously created as the result of receipt of a file, (No) if system generated as result of the receipt of an activity. N should occur only for parcels at the LSD level or lower. ('Y' or 'N').

LSAS SURFACE DATA FILES

Revised: September 8, 2009

<u>Field Name</u>	<u>Definition</u>
Surveyed Flag	Indicates whether parcel was surveyed. Surveyed, Unsurveyed, Partly, Water (parcel may be covered by water). Refer table LNDSURVE.
Land File Flag	Indicates whether the Departmental Records Management unit has created a 'Land file' for this parcel ('Y' or 'N').
Freehold Land Area	Total hectares for this parcel (does not include any existing subdivision area or area under water).
Freehold Title Area	Total hectares that are freehold (does not include freehold area falling within any existing subdivision area).
Water Coverage Code	Indicates whether parcel contains any significant bodies of water (refer table LNDWATER).
Existence Code	Indicates whether parcel abuts against a correction line for a meridian. In this case, the parcel may consist of part of two quarter sections, or two quarter sections and part of an additional two quarter sections.

4.1.3 ATSLAND Record B - format 1

<u>Field Name</u>	<u>Definition</u>
Record Code	Used as first element of secondary sort key (must contain 'B').
Activity Id	Activity (from ACTIVITY file) that has interest in parcel. Is also used as second element of secondary sort key.
Seq. Number	Used as third element of secondary sort key (must contain '000').
Internal Land Key	Used as primary sort key.

4.1.4 ATSLAND Record B - format 2

<u>Field Name</u>	<u>Definition</u>
Record Code	Used as first element of secondary sort key (must contain 'B').
Activity Id	Activity (from ACTIVITY file) that has interest in parcel. Is also used as second element of secondary sort key.
Seq. Number	Sequential number that will identify Activity id related information for the parcel (sequential numbers begin at 001).
Internal Land Key	Used as primary sort key.
General Text	Free format data to describe a parcel of land by measurement, distance, natural and/or man-made boundaries.
Land Area	Area of the parcel contained in the related activity.

4.1.5 ATSLAND Record C - format 1

<u>Field Name</u>	<u>Definition</u>
Record Code	Used as first element of secondary sort key (must contain 'C').
Primary Seq#	Used as second element of secondary sort key.
Secondary Seq#	Used as third element of secondary sort key (must contain '000').
Filler	N/A
Internal Land Key	Use as primary sort key.
Creation Date	Initial addition of Exception data to LSAS (cyymmdd).
Last Update Date	Latest update to contents of Exception data (cyymmdd).
Last Update Time	Time of latest update to contents of Exception data (hhmmss).
Exception Code	Code reflecting interest registered at Alberta Registries as interest in land/resources but are not certificates of title. Refer to table LNINDEXCEP.

4.1.6 ATSLAND Record C - format 2

<u>Field Name</u>	<u>Definition</u>
Record Code	Used as first element of secondary sort key (must contain 'C').
Primary Seq#	Used as second element of secondary sort key.
Secondary Seq#	Used as third element of secondary sort key. As the database may contain several records related to the same primary record as defined by the primary sequence number, you may encounter several records with consecutively numbered secondary sequence numbers (must contain a number greater than 000).
Filler	N/A
Internal Land Key	Use as primary sort key.
General Text	Free format text that provides further information on this ATSLAND exception

4.1.7 ATSLAND Record D - format 1

<u>Field Name</u>	<u>Definition</u>
Record Code	Used as first element of secondary sort key (must contain 'D').
Primary Seq#	Used as second element of secondary sort key.
Secondary Seq#	Used as third element of secondary sort key (must contain '000').
Filler	N/A
Internal Land Key	Use as primary sort key.
Creation Date	Initial addition of Crown Title data to LSAS (cyymmdd).
Last Update Date	Latest update to contents of Crown Title data (cyymmdd).
Last Update Time	Time of latest update to contents of Crown Title data (hhmmss).
Effective Date	Formal registration of the Crown Title at Alberta Registries (cyymmdd).
Crown Title Code	Indicates reason title was placed on parcel. Refer table LNDTYPES.
Title Area	Area in hectares covered by the Crown Title.
Title Holder Name	Name of the agency holding the Crown Title.
Key File Id	Free format cross reference file number (by legal land description, activity type or number) which contains information relevant to the Crown Title.

4.1.8 ATSLAND Record D - format 2

<u>Field Name</u>	<u>Definition</u>
Record Code	Used as first element of secondary sort key (must contain 'D').
Primary Seq#	Used as second element of secondary sort key.
Secondary Seq#	Used as third element of secondary sort key. As the database may contain several text records related to the same Crown Title primary record, you may encounter several records with consecutively numbered sequence numbers (must contain a number greater than 000).
Filler	N/A
Internal Land Key	Use as primary sort key.
General Text	Free format text describing additional information related to the Crown Title.

4.1.9 ATSLAND Record E - format 1

<u>Field Name</u>	<u>Definition</u>
Record Code	Used as first element of secondary sort key (must contain 'E').
Primary Seq#	Used as second element of secondary sort key.
Secondary Seq#	Used as third element of secondary sort key (must contain '000').
Filler	N/A
Internal Land Key	Use as primary sort key.
Creation Date	Initial addition of Patent data to LSAS (cyymmdd).
Last Update Date	Latest update to contents of Patent data (cyymmdd).
Last Update Time	Time of latest update to contents of Patent data (hhmmss).
Effective Date	Title issuance at Alberta Registries (cyymmdd).
Title Area	Area in hectares covered by the Patent.
Title Holder Name	Name of the company or individual holding the title for the parcel. Note that only the original title holder is recorded; subsequent changes of ownership can be obtained from the Alberta Registries office.
Surface Activity Id	Type and number of the surface disposition that led to the sale of the parcel (refer to table ACTDISPO for type description).

4.1.10 ATSLAND Record E - format 2

<u>Field Name</u>	<u>Definition</u>
Record Code	Used as first element of secondary sort key (must contain 'E').
Primary Seq#	Used as second element of secondary sort key.
Secondary Seq#	Used as third element of secondary sort key. As the database may contain several text records related to the same Patent primary record, you may encounter several records with consecutively numbered sequence numbers (must contain a number greater than 000).
Filler	N/A
Internal Land Key	Use as primary sort key.
General Text	Free format text describing additional information related to the Patent.

4.1.11 ATSLAND Record F

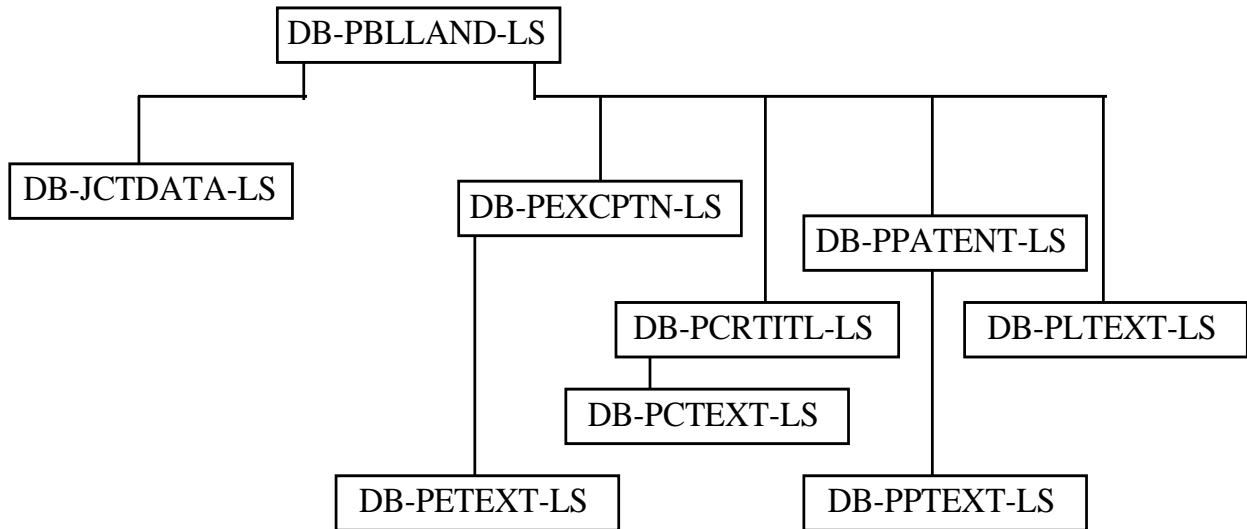
<u>Field Name</u>	<u>Definition</u>
Record Code	Used as first element of secondary sort key (must contain 'F').
Primary Seq#	Used as second element of secondary sort key.
Secondary Seq#	Used as third element of secondary sort key (must contain 000).
Filler	N/A
Internal Land Key	Use as primary sort key.
General Text	Free format description, remarks or notation pertaining to the ATSLAND parcel.

4.2 **PBLAND File**

4.2.1 Record Relationships

Relationships of file records to file layout records (excluding primary and secondary keys).

<u>File Record</u>	<u>File Layout Record</u>
A	DB-PBLAND-LS
B	DB-JCTDATA-LS
C	DB-PEXCPTN-LS & DB-PETEXT-LS
D	DB-PCRTITL-LS & DB-PCTEXT-LS
E	DB-PPATENT-LS & DB-PPTEXT-LS
F	DB-PLTEXT-LS



4.2.2 PBLAND Record A

<u>Field Name</u>	<u>Definition</u>
Record Code	Used as secondary sort key (must contain 'A').
Filler	N/A
Plan, Block, Lot	Used as primary sort key.
PBLand id	Alberta Subdivision land identification consisting of Plan (generally Land Titles Office Plan Number, 7 characters), Block (3 characters), and Lot (3 characters).
Creation Date	Initial addition of PBLAND record to LSAS (cyymmdd).
Last Update Date	Latest update to contents of PBLAND record A (cyymmdd).
Last Update Time	Time of latest update to contents of PBLAND record A (hhmmss).
Surface Ownership Code	Ownership of the PBL parcel of land displayed. Crown, Freehold, Mixed (both Crown and Freehold occur on apportionments of the parcel), Other (portion of parcel exists which could not be accurately defined, is also defaulted when parcel of land is created at LSD level or lower).
Title Status Code	Indicates whether or not title has been issued and is resident at the Land Titles office. Titled, Untitled, Mixed (apportionments of the parcel can be titled and untitled), Other (portion of parcel exists which could not be accurately defined, is also defaulted when parcel of land is created at LSD level or lower).
Surface Admin Code	Crown agency or agencies that administer part of or all the PBL land parcel. (valid codes described in table LNDSURAD).
Additional Data Code	Indicates the existence of additional data for the parcel. Additional data is housed on one or more PBLAND file records C - F: 0=none 1=C 2=D 3=C,D 4=E 5=C,E 6=D,E 7=C,D,E
Active Flag	Indicates whether any related Activities exist ('Y' or 'N').

<u>Field Name</u>	<u>Definition</u>
Approved Flag	Indicates (Yes) if parcel was consciously created as the result of receipt of a file, (No) if system generated as result of the receipt of an activity. N should occur only for parcels at the LSD level or lower. ('Y' or 'N').
Surveyed Flag	Indicates whether parcel was surveyed. Surveyed, Unsurveyed, Partly, Water (parcel may be covered by water). Refer table LNDSURVE.
Land File Flag	Indicates whether the Departmental Records Management unit has created a 'Land file' for this parcel ('Y' or 'N').
Land Area	Total hectares for this parcel (does not include the ATS area or area under water).
Freehold Title Area	Total hectares that are freehold.
Water Coverage Code	Indicates whether parcel contains any significant bodies of water (refer table LNDWATER).
Existence Code	Indicates whether parcel abuts against a correction line for a meridian. In this case, the parcel may consist of part of two quarter sections, or two quarter sections and part of an additional two quarter sections. For PBL, the code is always 'W'. Refer table LNDEXIST.

4.2.3 PBLAND Record B - Format 1

<u>Field Name</u>	<u>Definition</u>
Record Code	Used as secondary sort key (must contain 'B').
Activity Id	Activity (from ACTIVITY file) that has interest in parcel. Is also used as second element of secondary sort key.
Seq. Number	Used as third element of secondary sort key (must contain '000').
Plan, Block, Lot	Used as primary sort key.

4.2.4 PBLAND Record B - Format 2

<u>Field Name</u>	<u>Definition</u>
Record Code	Used as secondary sort key (must contain 'B').
Activity Id	Activity (from ACTIVITY file) that has interest in parcel. Is also used as second element of secondary sort key.
Seq. Number	Sequential number that will identify Activity id related information for the parcel (sequential numbers begin at 001).
Plan, Block, Lot	Used as primary sort key.
General Text	Free format data to describe a parcel of land by measurement, distance, natural and/or man-made boundaries.
Land Area	Area of the parcel contained in the related activity.

4.2.5 PBLAND Record C - format 1

<u>Field Name</u>	<u>Definition</u>
Record Code	Used as first element of secondary sort key (must contain 'C').
Primary Seq#	Used as second element of secondary sort key.
Secondary Seq#	Used as third element of secondary sort key (must contain '000').
Filler	N/A
Plan, Block, Lot	Use as primary sort key.
Creation Date	Initial addition of Exception data to LSAS (cyymmdd).
Last Update Date	Latest update to contents of Exception data (cyymmdd).
Last Update Time	Time of latest update to contents of Exception data (hhmmss).
Exception Code	Code reflecting interest registered at Alberta Registries as interest in land/resources but are not certificates of title. Refer to table LNINDEXCEP.

4.2.6 PBLAND Record C - format 2

<u>Field Name</u>	<u>Definition</u>
Record Code	Used as first element of secondary sort key (must contain 'C').
Primary Seq#	Used as second element of secondary sort key.
Secondary Seq#	Used as third element of secondary sort key. As the database may contain several records related to the same primary record as defined by the primary sequence number, you may encounter several records with consecutively numbered secondary sequence numbers (must contain a number greater than 000).
Filler	N/A
Plan, Block, Lot	Use as primary sort key.
General Text	Free format text that provides further information on this PBLAND exception

4.2.7 PBLAND Record D - format 1

<u>Field Name</u>	<u>Definition</u>
Record Code	Used as first element of secondary sort key (must contain 'D').
Primary Seq#	Used as second element of secondary sort key.
Secondary Seq#	Used as third element of secondary sort key (must contain '000').
Filler	N/A
Plan, Block, Lot	Use as primary sort key.
Creation Date	Initial addition of Crown Title data to LSAS (cyymmdd).
Last Update Date	Latest update to contents of Crown Title data (cyymmdd).
Last Update Time	Time of latest update to contents of Crown Title data (hhmmss).
Effective Date	Formal registration of the Crown Title at Alberta Registries (cyymmdd).
Crown Title Code	Indicates reason title was placed on parcel. Refer table LNNTYPES.
Title Area	Area in hectares covered by the Crown Title.
Title Holder Name	Name of the agency holding the Crown Title.
Key File Id	Free format cross reference file number (by legal land description, activity type or number) which contains information relevant to the Crown Title.

4.2.8 PBLAND Record D - format 2

<u>Field Name</u>	<u>Definition</u>
Record Code	Used as first element of secondary sort key (must contain 'D').
Primary Seq#	Used as second element of secondary sort key.
Secondary Seq#	Used as third element of secondary sort key. As the database may contain several text records related to the same Crown Title primary record, you may encounter several records with consecutively numbered sequence numbers (must contain a number greater than 000).
Filler	N/A
Plan, Block, Lot	Use as primary sort key.
General Text	Free format text describing additional information related to the Crown Title.

4.2.9 PBLAND Record E - format 1

<u>Field Name</u>	<u>Definition</u>
Record Code	Used as first element of secondary sort key (must contain 'E').
Primary Seq#	Used as second element of secondary sort key.
Secondary Seq#	Used as third element of secondary sort key (must contain '000').
Filler	N/A
Plan, Block, Lot	Use as primary sort key.
Creation Date	Initial addition of Patent data to LSAS (cyymmdd).
Last Update Date	Latest update to contents of Patent data (cyymmdd).
Last Update Time	Time of latest update to contents of Patent data (hhmmss).
Effective Date	Title issuance at Alberta Registries (cyymmdd).
Title Area	Area in hectares covered by the Patent.
Title Holder Name	Name of the company or individual holding the title for the parcel. Note that only the original title holder is recorded; subsequent changes of ownership can be obtained from the Alberta Registries office.
Surface Activity Id	Type and number of the surface disposition that led to the sale of the parcel (refer to table ACTDISPO for type description).

4.2.10 PBLAND Record E - format 2

<u>Field Name</u>	<u>Definition</u>
Record Code	Used as first element of secondary sort key (must contain 'E').
Primary Seq#	Used as second element of secondary sort key.
Secondary Seq#	Used as third element of secondary sort key. As the database may contain several text records related to the same Patent primary record, you may encounter several records with consecutively numbered sequence numbers (must contain a number greater than 000).
Filler	N/A
Plan, Block, Lot	Use as primary sort key.
General Text	Free format text describing additional information related to the Patent.

4.2.11 PBLAND Record F

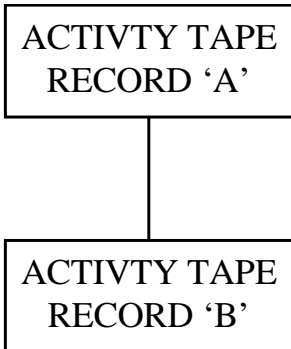
<u>Field Name</u>	<u>Definition</u>
Record Code	Used as first element of secondary sort key (must contain 'F').
Primary Seq#	Used as second element of secondary sort key.
Secondary Seq#	Used as third element of secondary sort key (must contain 000).
Filler	N/A
Plan, Block, Lot	Use as primary sort key.
General Text	Free format description, remarks or notation pertaining to the PBLAND parcel.

4.3 ACTIVITY File

4.3.1 Record Relationships

<u>File Record</u>		<u>File Layout Records</u>	
Secondary sort		Primary sort	
A	000	E	DB-ENCUMB-LS
A	000	G	DB-GEOADMN-LS
A	000	I	DB-INTERM-LS
A	000	O	DB-POSTING-LS
A	000	R	DB-RESRVTN-LS
A	000	S	DB-SURFDSP-LS
A	000	U	DB-SUBDVSN-LS
B	nnn		DB-xxTEXT-LS

- xx = EN FOR ENCUMB
- = GA FOR GEOADMN
- = IN FOR INTERM
- = PO FOR POSTING
- = RE FOR RESRVTN
- = SD FOR SURFDSP
- = SU FOR SUBDVSN



4.3.2 ACTIVITY Record A - Encumbrance

<u>Field Name</u>	<u>Definition</u>
Record Code	Used as first element of secondary sort key (must contain 'A').
Filler	Used as second element of secondary sort key (must contain 000).
Activity Type	Identifies activity as Encumbrance. Used as first element of primary sort key (must contain 'E').
Activity Number	Used as second element of primary sort key (comprised of Encumbrance code and serial number).
Filler	N/A
Filler	The Encumbrance does not have an associated Client number.
Encumbrance Code	Describes type of Encumbrance (refer to table ACTENCUM).
Encumbrance Id	Unique number associated to Encumbrance code (yening).
Creation Date	Initial addition of Encumbrance code & serial number to LSAS (cyymmdd).
Last Update Date	Latest update to contents of Encumbrance data (cyymmdd).
Last Update Time	Time of latest update to contents of Encumbrance data (hhmmss).
Effective Date	Registry of this Encumbrance at Alberta Registries (cyymmdd).
Discharge Date	Discharge of this Encumbrance from Alberta Registries (cyymmdd).
Status Code	Current status of Encumbrance's progress through the life cycle (refer to table TRNENCST).
Key File Id	Free format cross reference file number(by legal land description, activity type or number) which contains information relevant to the Encumbrance activity.
LTO No Id	Related Registries Office file reference number

4.3.3 ACTIVITY Record A - Geoadmin

<u>Field Name</u>	<u>Definition</u>
Record Code	Used as first element of secondary sort key (must contain 'A').
Filler	Used as second element of secondary sort key (must contain 000).
Activity Type	Identifies activity as Geo-administrative. Used as first element of primary sort key (must contain 'G').
Activity Number	Used as second element of primary sort key (comprised of Geo-Admin code, Geo-Admin Area Code and Geo-Admin Sub-Area Code).
Filler	N/A
Filler	The Geoadmin does not have an associated Client number.
Geo-Admin Code	Describes type of Geoadmin (refer to table GEOAREAT).
Geo-Admin Area Code	Geoadmins are generally broken-down into many areas within Geoadmin type. This field denotes one of many area codes.
Geo-Admin Sub-Area Code	Geoadmin Area Codes can be further broken-down into Sub-Areas. This denotes one of many sub-area codes.
Creation Date	Initial addition of Geoadmin Code/Area/Sub-Area to LSAS (cyymmdd).
Last Update Date	Latest update to contents of Geoadmin Code/Area/Sub-Area (cyymmdd).
Last Update Time	Time of latest update to contents of Geoadmin Code/Area/Sub-Area (hhmmss).
Agency Responsible	Administrative agency or individual responsible for this Geoadmin.
Area Name	Geographical or administrative name assigned to this Geoadmin.
Geo-Admin Area (ha)	Total area in hectares of Geoadmin.
Status Code	Current status of Geoadmin's progress through the life cycle (refer to table GEOSTATU).

4.3.4 ACTIVITY Record A - Interim

<u>Field Name</u>	<u>Definition</u>
Record Code	Used as first element of secondary sort key (must contain 'A').
Filler	Used as second element of secondary sort key (must contain 000).
Activity Type	Identifies activity as Interim. Used as first element of primary sort key (must contain 'I').
Activity Number	Used as second element of primary sort key (comprised of Interim code and serial number; first 2 characters must be 'IN', format: INxxxxxxxxxx).
Filler	The Encumbrance does not have an associated Client number.
Interim Code	Describes type as Interim (must be 'IN').
Interim Quarter #	The quarter section of land encompassed by the Interim.
Interim Serial #	Identification of a record within a series of records that are connected to the Interim Quarter #.
Creation Date	Initial addition of Interim activity to LSAS (cyymmdd).
Last Update Date	Latest update to contents of Interim data (cyymmdd).
Last Update Time	Time of latest update to contents of Interim data (hhmmss).
Conversion Control #	Unique sequential number assigned to assist with the identification of this activity during the conversion from Interim to another activity type.
Effective Date	Date Interim went into effect (cyymmdd).
Type Code	Indicates type or classification (refer to table ACTINTPE).
Status Code	Current status of Interim's progress through the life cycle (refer to table ACINTSTA).
Entry Area	Total area in hectares of Interim.
Filler	N/A
Key File Id	Free format cross reference file number (by legal land description, activity type or number) which contains information relevant to the Interim activity.
LTO No Id	Related Registries Office file reference number.
FLW Plan No	Serial number of the 'stick plan' under which the plan/sketch is filed at the Public Lands Division.

LSAS SURFACE DATA FILES

Revised: September 8, 2009

<u>Field Name</u>	<u>Definition</u>
FLW Plan Code	Type of plan under which the plan is filed (refer to table LNDPLANS).
Order in Council Id	Indicates the applicable Order-In-Council that authorized this Interim.

4.3.5 ACTIVITY Record A - Posting

<u>Field Name</u>	<u>Definition</u>
Record Code	Used as first element of secondary sort key (must contain 'A').
Filler	Used as second element of secondary sort key (must contain 000).
Activity Type	Identifies activity as Posting. Used as first element of primary sort key (must contain 'O').
Activity Number	Used as second element of primary sort key (comprised of Posting code and serial number).
Filler	N/A
Filler	The Posting does not have an associated Client number.
Activity Type Code	Describes type of Posting (refer to table ACTPOSTI).
Activity Serial #	Unique number associated to Posting code (yynnnn).
Creation Date	Initial addition of Posting code & serial number to LSAS (cyymmdd).
Last Update Date	Latest update to contents of Posting data (cyymmdd).
Last Update Time	Time of latest update to contents of Posting data (hhmmss).
Opening Date	When clients can begin to apply for leases (cyymmdd).
Cancellation Date	Date Posting was cancelled (cyymmdd).
Closing Date	Last date when applications for parcel of land will be accepted (cyymmdd).
Area (ha)	Total area in hectares covered by posting.
Activity Code	Surface activity types for which applications will be accepted (refer to table ACTDISPO).
Status	Current status of Posting's progress through the life cycle (refer to table TRNPSTST).
ADC Committee	Code that indicates Agricultural Development Committee that will review any appeals pertaining to the awarding of applications within the Posting (refer to table ACTDEVCO).
Disposed Date	This field is not applicable and is never used for Posting Activities.
Posted Flag	Indicates whether parcel of land has been previously posted ('Y' or 'N').

4.3.6 ACTIVITY Record A - Reservation

<u>Field Name</u>	<u>Definition</u>
Record Code	Used as first element of secondary sort key (must contain 'A').
Filler	Used as second element of secondary sort key (must contain 000).
Activity Type	Identifies activity as Reservation. Used as first element of primary sort key (must contain 'R').
Activity Number	Used as second element of primary sort key (comprised of Reservation code and serial number).
Filler	N/A
Client Type	Whether the Client is Service Of, Owner or Both
Client Id	Unique number of the Client holding the Reservation (client number, length = 7, client address number, length = 3).
Activity Type Code	Describes type of Reservation (refer to table ACTRESVS).
Activity Serial Id	Unique number associated to Reservation code (yynnnn).
Filler	N/A
Creation Date	Initial addition of Reservation activity to LSAS (cyymmdd).
Last Update Date	Latest update to contents of Reservation data (cyymmdd).
Last Update Time	Time of latest update to contents of Reservation data (hhmmss).
Application Date	Date an agency applied for the Reservation (cyymmdd).
Effective Date	Date Reservation was approved by the department (cyymmdd).
Amendment Date	Date an amendment to the Reservation was received in the department (cyymmdd).
Amendment Approval Date	Date amendment was approved by the department (cyymmdd).
Cancellation Date	Date the Reservation was cancelled (cyymmdd).
Renewal Date	Date the Reservation was renewed (cyymmdd).
Expiry Date	Date the Reservation is due or has expired (cyymmdd).
Purpose Code	Code indicating reason for the placement of the Reservation (refer to table ACTRESPU).

LSAS SURFACE DATA FILES**Revised: September 8, 2009**

<u>Field Name</u>	<u>Definition</u>
Restriction Code	Code to indicate whether or not there are any restrictions to the types of applications that can be placed on the land parcels contained within the Reservation activity (refer to table ACTRESRT).
Restriction Exception	Code to indicate an exception to the restriction placed on the Reservation (refer to table ACTRESEX).
Referral Required Flag	Indicates whether or not a holding agency requires a referral ('Y' or 'N').
Status Code	Current status of Reservation's progress through the life cycle (refer to table TRNRESST).
Area (ha)	Total area in hectares covered by Reservation.
Filler	N/A
S.T.R.Code	N/A
Key File Id	Free format cross reference file number(by legal land description, activity type or number) which contains information relevant to the Reservation activity.
FLW Plan No	Serial number of the 'stick plan' under which the plan/sketch is filed at the Public Lands Division.
FLW Plan Type Code	Type of plan under which the plan is filed (refer to table LNDPLANS).

4.3.7 ACTIVITY Record A - Surface Disposition

<u>Field Name</u>	<u>Definition</u>
Record Code	Used as first element of secondary sort key (must contain 'A').
Filler	Used as second element of secondary sort key (must contain 000).
Activity Type	Identifies activity as Surface Disposition. Used as first element of primary sort key (must contain 'S').
Activity Number	Used as second element of primary sort key (comprised of Surface Disposition code and serial number).
Filler	N/A
Client Type	Whether the Client is Service Of, Owner or Both
Client Id	Unique number of the Client who has interest in the Surface Disposition (client number, length = 7, client address number, length = 3).
Activity Type Code	Describes type of Surface Disposition (refer to table ACTDISPO).
Activity Serial Id	Unique number associated to Surface Disposition code (must be non blank, may contain leading blanks).
Filler	N/A
Creation Date	Initial addition of Surface Disposition activity to LSAS (cyymmdd).
Last Update Date	Latest update to contents of Surface Disposition data (cyymmdd).
Last Update Time	Time of latest update to contents of Surface Disposition data (hhmmss).
Application Date	Date a company or individual applied for the Surface activity (cyymmdd).
Letter of Authority Date	Date a authority was given to commence work (cyymmdd).
Effective Date	Date Surface Disposition was approved by the department (cyymmdd).
Amendment Date	Date of latest amendment to the Surface Disposition, generally to add or delete lands from the activity (cyymmdd).
Cancellation Date	Date the Surface Disposition was cancelled (cyymmdd).
Renewal Date	Date the Surface Disposition was renewed (cyymmdd).
Expiry Date	Date Surface Disposition is due or has expired (cyymmdd).
Reinstatement Date	Date the Surface Disposition was reinstated (cyymmdd).
Amend LOA Date	Date of amendment to the Letter of Authority (cyymmdd).

<u>Field Name</u>	<u>Definition</u>
Filler	N/A
Status Code	Current status of Surface Disposition's progress through the life cycle (refer to table CCDISPST).
Surf. Disp. Area (ha)	Total area in hectares covered by Surface Disposition.
Key File Id	Free format cross reference file number (by legal land description, activity type or number) which contains information relevant to the Surface Disposition activity.
Purchase Option Flag	Indicates whether or not an option to purchase the Surface Disposition has been incorporated into the agreement ('Y' or 'N' or blank).
Near Water Flag	Indicates whether or not the activity is within 100 meters of a body of water ('Y' or 'N' or blank).
Special Land Purpose Code	Code indicating reason for the placement of the special land disposition (refer to table ADSLPURP).
Purpose Extension Text	Purpose code additional remarks.
Client File No	The client company's own file number of the disposition.
Dimension	General text defining the physical dimension of the disposition.
Activity GST Flag	Code indicating whether activity is exempt from GST. (E = Exempt for all clients, T = Taxable for all clients, R = Exempt if client is a GST Registrant, blank = Taxable if client is not a GST Registrant).
Title Issued Flag	Indicates whether or not a title has been issued (Y/N). Applies only to 'PLS' activities.
CRP Number	A reference number to another activity. Applies only to 'SML' activities.
Area Operating Agreement Number	The number of the Area Operating Agreement under which oil and gas activities (MSL, LOC, PLA and PIL) have been approved.

4.3.8 ACTIVITY Record A - Subdivision

<u>Field Name</u>	<u>Definition</u>
Record Code	Used as first element of secondary sort key (must contain 'A').
Filler	Used as second element of secondary sort key (must contain 000).
Activity Type	Identifies activity as Subdivision. Used as first element of primary sort key (must contain 'U').
Activity Number	Used as second element of primary sort key.
Filler	N/A
Filler	N/A
Plan Number	A unique number identifying a subdivision plan registered at Registries.
Creation Date	Date indicating the initial addition of this subdivision to the LSAS database (cyymmdd).
Last Update Date	Latest update to contents of Subdivision data (cyymmdd).
Last Update Time	Time of latest update to contents of Subdivision data (hhmmss).
Subdivision Name	Description or name of subdivision.
Registered Flag	Yes/No flag indicates whether subdivision has been registered at Registries.
Area (ha)	Area in hectares covered by the subdivision.
Status Code	Current status of Subdivision's progress through the life cycle (refer to table LNDSTPBL).
FLW Plan No	A unique numeric sequence specific to the plan code.
FLW Plan Code	A unique alpha code identifying the stick plan on which the Plan/Sketch for the subdivision is filed (refer to table LNDPLANS).

4.3.9 ACTIVITY Record B - General text

<u>Field Name</u>	<u>Definition</u>
Record Code	Used as first element of secondary sort key (must contain 'B').
Sequence Number	Used as second element of secondary sort key.
Activity Type	Will contain the same Activity type code as the Activity Record A to which this record is related.
Activity Number	Will contain the same Activity Number as the Activity Record A to which this record is related.
General Text	Free format description, remarks or notation pertaining to the Activity which this record is related.

4.4 CLIENT File

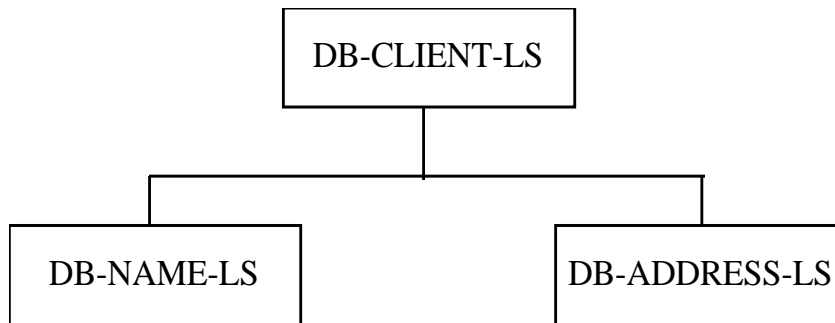
4.4.1 Record Relationships

File Record

File Layout Records

A
B
C

DB-CLIENT-LS
DB-NAME-LS
DB-ADDRESS-LS



4.4.2 CLIENT Record A

<u>Field Name</u>	<u>Definition</u>
Record Code	Used as secondary sort key (must contain 'A').
Client Number	Used as primary sort key.
Client Id	Unique number of the individual, company or Crown agency who holds or has held rights on Crown land.
Creation Date	Date indicating the initial addition of the Client Id to the LSAS database (cyymmdd).
Last Update Date	Latest update to contents of Client data (cyymmdd).
Last Update Time	Latest update time to contents of Client data (hhmmss).
Client Status Code	Current status of Client Id on LSAS (refer to table CLTSTATS).
Client Type Code	Indicates current Client Type (refer to table CLTTYPE).
Corporation Access Nbr	Unique identifier assigned by the CBIS to each company registered in Alberta. (Must be non blank if Type Code indicates "company").
Trade Name/Partnership Id	The CORES trade name/partnership id.
Registration Code	Indicates the current CBIS registration status (refer to table CLTREGCD). (Must be non blank if Type Code indicates "company").
GST Reg Nbr	GST registration number of the Client id.
Electronic Fund Transfer	A code indicating whether the client allows electronic fund transfers.
Surface Co. File #	The number corresponding to the paper file held for any client involved in Surface activities.
Registered Agency Code	The agency number with which the client is registered (refer to table CLTAGENI). (A client must be registered with an agency before the client can be set up on LSAS).
Amalgamation Effect. Date	Date when the merger or amalgamation involving the client became effective (cyymmdd).

<u>Field Name</u>	<u>Definition</u>
Amalgamation Proc. Date	Date when the merger or amalgamation was processed on LSAS (cyymmdd).
CORES Status Change Effect. Date	Date when change to CORES status became effective (cyymmdd).
CORES Status Change Proc. Date	Date when change to CORES status was processed on LSAS (cyymmdd).
Other Co. Status Code	Status of other company involved in merger or amalgamation (refer to table CLTOTHHR).
Other Co. Status Change Effect. Date	Date when status of other company became effective (cyymmdd).
Other Co. Status Change Proc. Date	Date when status of other company was processed on LSAS (cyymmdd).
GST Exempt Indicator	Indicates whether the client is exempt from paying GST.
Industry Segment	This field is no longer being used – data will now be blanks
MRIS Code	Non operator code assigned by Mineral Revenues.
EUB Code	Operator code assigned by EUB.
Mineral Royalty Indebt	Indicates whether client is indebted to the Crown.
Filler	N/A

4.4.3 CLIENT Record B

<u>Field Name</u>	<u>Definition</u>
Record Code	Used as secondary sort key (must contain 'B').
Client Number	Used as primary sort key.
Creation Date	Date indicating the initial addition of the Client name to the LSAS database (cyymmdd).
Last Update Date	Latest update to contents of Client record 'B' (cyymmdd).
Last Update Time	Latest update time to contents of Client record 'B' (hhmmss).
Search Name	A 'short name' that is compared to when searching by name.
Client Name 1	Indicates line 1 of the name associated to the client id. The name is formatted in accordance with CORES standards; generally in "last name, first full name, initials" format. Note that commas are used as delimiters between the names.
Client Name 2	Indicates line 2 of the name associated to the client id. The name is formatted in accordance with CORES standards; generally in "last name, first full name, initials" format. Note that commas are used as delimiters between the names.
Client Name 3	Indicates line 3 of the name associated to the client id. The name is formatted in accordance with CORES standards; generally in "last name, first full name, initials" format. Note that commas are used as delimiters between the names.
Primary Name Flag	Indicates whether this is primary name (Y) or alias name (N).
Name Change Effect. Date	Date when change to the name became effective (cyymmdd).
Name Change Proc. Date	Date when change to the name was processed on LSAS (cyymmdd).

4.4.4 CLIENT Record C

<u>Field Name</u>	<u>Definition</u>
Record Code	Used as secondary sort key (must contain 'C').
Client Number	Used as primary sort key.
Address Number	A unique 3-digit number referring to 1 of 5 possible mailing addresses allowed on LSAS. Clients may have several mailing addresses.
Creation Date	Date indicating the initial addition of the Client address number to the LSAS database (cyymmdd).
Last Update Date	Latest update to contents of Client record 'C' (cyymmdd).
Last Update Time	Latest update time to contents of Client record 'C' (hhmmss).
Status Code	Current status of specific Client Address Number (refer to table CLTADDST).
Address Type Code	Indicates whether client address is used for mineral, surface or both (refer to table CLTADDTY) (must be M, S, B, or blank).
Mineral Ref Code	Indicates type of Mineral client (refer to table CLTMNREF).
Address Change Effect. Date	Date the change to the address became effective (cyymmdd).
Address Change Proc. Date	Date the change to the address was processed on LSAS (cyymmdd).
Care of Client Number	The Client Number designated as a recipient of all mail and information.
Care of Address Number	The unique 3-digit address number of the care of client.
Address Text	5 lines of free format address information.
City/Town/Village	City/Town/Village
Province/State	Province/State

<u>Field Name</u>	<u>Definition</u>
Country	
Postal/Zip Code	Valid Canadian postal code sequence or numeric zip code only.
Attention Line	Free format text indicating who mail should be Attentioned to.
Address Confirmed Flag	Indicates whether address has been confirmed in writing by client.
Filler	N/A
Imagis Client ID	Imagis Client Id
Imagis Address Number	Imagis Address Number

4.5 DOC DATA File

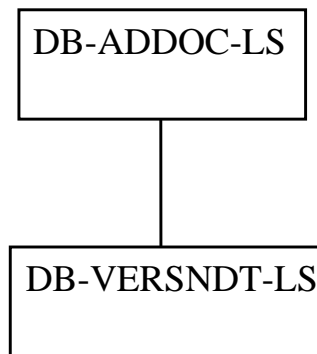
4.5.1 Record Relationships

File Record

File Layout Records

A
B

DB-ADDOC-LS
DB-VERSNDT-LS



4.5.2 DOC DATA Record A

<u>Field Name</u>	<u>Definition</u>
Record Code	Used as a secondary Sort key (must contain 'A')
Filler	Used as a second element of secondary sort key (contains Blanks)
Activity Type	Identifies the Activity Type. Used as the first element in the Primary sort.
Activity Number	Identifies the Activity. Used as the second element in the Primary sort.
Creation Date	Initial addition of Doc Data to LSAS (cyymmdd)
Last Update Date	Latest Update to contents of Doc Data (cyymmdd)
Last Update Time	Time of latest update (hhmmss)
OUC Owner Code	Code of the organization responsible for the Activity
FLW Plan Serial Number	Serial number of the 'stick plan' under which the plan/sketch is filed at the Public Land Division.
FLW Plan Code	Type of plan under which the plan is filed (LNDPLANS)
FLW Plan Item	Refers to the Latest Plan. Indicates that there is more than the original detail than the original Plan
Additional FLW Plans	Additional Plan Information
LTO Plan Number	Related Registries Office file Reference Number
Additional LTO PLAN Numbers	Up to six additional plan numbers related to the LTO Plan Number.
Special Land Purpose Code	Code indicating reason for placement of the special land disposition (ADSLPURP)
<u>Field Name</u>	<u>Definition</u>
Dimension	General text defining the physical dimension of the

	disposition.
Plan Type	Type of Plan (ADDOCPLN)
Filler	N/A
Purpose Extension Text	Text related to the Purpose Code
Client File Number	The Client company's own file number of the disposition
Filler	N/A
Save & Excepting Area	Gross area minus Save & Excepting area = Net Area
As Built Plan	Indicates whether a plan has been acquired showing the constructed location of an activity.
Authority Document	If survey area is 'M', it means that a legal description has come in for commercial access road leases only.

4.5.3 DOC DATA Record B

<u>Field Name</u>	<u>Definitions</u>
Record Code	Used as a secondary Sort key (must contain 'B')
Filler	Used as a second element of secondary sort key (contains Blanks)
Activity Type	Identifies the Activity Type. Used as the first element in the Primary sort.
Activity Number	Identifies the Activity. Used as the second element in the Primary sort.
Version Date	The date the plan has been received in the area (cyymmdd).

5.0 RECORD LAYOUTS

5.1 ATSLAND FILE

File Name: LFAS.PROD.SURF.COMPTAPE.ATSLAND(0)
LFAS.PROD.DAILY.SURF.ATSLAND(0)

Structure: - Medium: File
- Density: 6250
- Labels: SL
- Format: VB
- *Record Length: 149 maximum*
- 34 minimum*
- Block Length: 32760

* Including 4 bytes for variable block format

GENERAL RECORD STRUCTURE

<u>Record Code</u>	<u>Contents</u>
A	Detailed description of a parcel of land which is measured and located under the Alberta township survey (ATS) system.
B	Activities and general text.
C	Exception code and text used to identify exceptional land.
D	Crown title information and text relating to a parcel of land located under the ATS system.
E	Freehold information and text relating to a parcel of land located under the ATS system.
F	General remarks related to a parcel of land.

GENERAL RECORD STRUCTURE (CONTINUED)

<u>Secondary Sort</u>	<u>Primary Sort</u>	<u>Data Content</u>	<u>Record Length*</u>
A -----B-----	X-(12)-X	ATSLAND	99
B X-(14)-X 000	X-(12)-X	BLANK	34
B X-(14)-X XXX	X-(12)-X	JCTDATA	106
C XXXXX 000	X-(12)-X	AEXCPTN	59
C XXXXX XXX	X-(12)-X	AETEXT	94
D XXXXX 000	X-(12)-X	ACRTITL	*149
D XXXXX XXX	X-(12)-X	ACTEXT	94
E XXXXX	X-(12)-X	APATENT	*149
E XXXXX	X-(12)-X	APTEXT	94
F XXXXX 000	X-(12)-X	ALTEXT	94

* Including 4 bytes for variable record length.

5.1.1 ATSLAND Record A

<u>Field Name</u>	<u>No. Of Bytes</u>	<u>From</u>	<u>To</u>	<u>Mode</u>	<u>Description</u>
Secondary Sort					
Record Code	1	1	1	A	VALUE >A=
Filler	17	2	18	A	Blanks
Primary Sort					
Internal Land Key	12	19	30	N	
ATSLAND					
Atsland Id	12	31	42	N	
Creation Date	7	43	49	N	9(7)
Last Update Date	7	50	56	N	9(7)
Last Update Time	7	57	63	N	9(7)
Surface Ownership Code	1	64	64	A	LNDOWNSH
Title Status Code	1	65	65	A	LNDTITST
Surface Admin. Code	2	66	67	A	LNDSURAD
Additional Data Code	1	68	68	N	
Active Flag	1	69	69	A	
Approved Flag	1	70	70	A	
Surveyed Flag	1	71	71	A	LNDSURVE
Land File Flag	1	72	72	A	
Freehold Land Area (ha)	9	73	81	N	9(6)V999
Freehold Title Area (ha)	9	82	90	N	9(6)V999
Water Coverage Code	1	91	91	A	LNDWATER
Existence Code	1	92	92	A	LNDEXIST
Filler	<u>3</u>	93	95	A	Blanks
Total Bytes	95				

5.1.2 ATSLAND RECORD B

<u>Field Name</u>	<u>No. Of Bytes</u>	<u>From</u>	<u>To</u>	<u>Mode</u>	<u>Description</u>
FORMAT 1					
Secondary Sort					
Record Code	1	1	1	A	VALUE >B=
Activity Id	14	2	15	A	
Seq. Number	3	16	18	N	VALUE >000
Primary Sort					
Internal Land Key	<u>12</u>	19	30	N	
Total Bytes	30				
<hr/>					
FORMAT 2					
Secondary Sort					
Record Code	1	1	1	A	VALUE >B=
Activity Id	14	2	15	A	
Seq. Number	3	16	18	N	SEQUENTIAL # WITHIN ACTIVITY
Primary Sort					
Internal Land Key	12	19	30	N	
JCTDATA					
General Text	60	31	90	A	
Land Area	9	91	99	N	
Filler	<u>3</u>	100	102	A	Blanks
Total Bytes	102				

5.1.3 ATSLAND RECORD C

<u>Field Name</u>	<u>No. Of Bytes</u>	<u>From</u>	<u>To</u>	<u>Mode</u>	<u>Description</u>
FORMAT 1					
Secondary Sort					
Record Code	1	1	1	A	VALUE >C=
Primary Seq#	6	2	7	N	
Secondary Seq#	3	8	10	N	VALUE >000
Filler	8	11	18	A	Blanks
Primary Sort					
Internal Land Key	12	19	30	N	
AEXCPTN					EXCEPTION LAND DETAIL HEADER
Creation Date	7	31	37	N	9(7)
Last Update Date	7	38	44	N	9(7)
Last Update Time	7	45	51	N	9(7)
Exception Code	1	52	52	A	LNDEXCEP
Filler	<u>3</u>	53	55	A	Blanks
Total Bytes	55				

ATSLAND RECORD C cont'd

<u>Field Name</u>	<u>No. Of Bytes</u>	<u>From</u>	<u>To</u>	<u>Mode</u>	<u>Description</u>
FORMAT 2					
Secondary Sort					
Record Code	1	1	1	N	VALUE >C=
Primary Seq#	6	2	7	N	
Secondary Seq#	3	8	10	N	SEQUENTIAL # WITHIN PRIMARY SEQ#
Filler	8	11	18	A	Blanks
Primary Sort					
Internal Land Key	12	19	30	N	
AETEXT					EXCEPTION TEXT
General Text	<u>60</u>	31	90	A	
Total Bytes	90				

5.1.4 ATSLAND RECORD D

<u>Field Name</u>	<u>No. Of Bytes</u>	<u>From</u>	<u>To</u>	<u>Mode</u>	<u>Description</u>
FORMAT 1					
Secondary Sort					
Record Code	1	1	1	A	VALUE >D=
Primary Seq#	6	2	7	N	
Secondary Seq#	3	8	10	N	VALUE >000
Filler	8	11	18	A	Blanks
Primary Sort					
Internal Land Key	12	19	30	N	
ACRTITL					CROWN TITLE LAND DETAIL
Creation Date	7	31	37	N	9(7)
Last Update Date	7	38	44	N	9(7)
Last Update Time	7	45	51	N	9(7)
Effective Date	7	52	58	N	9(7)
Crown Title Code	1	59	59	A	LNDTYPES
Title Area (ha)	9	60	68	N	9(6)V999
Title Holder Name	60	69	128	A	
Key File Id	<u>17</u>	129	145	A	
Total Bytes	145				

ATSLAND RECORD D cont'd

<u>Field Name</u>	<u>No. Of Bytes</u>	<u>From</u>	<u>To</u>	<u>Mode</u>	<u>Description</u>
FORMAT 2					
Secondary Sort					
Record Code	1	1	1	A	VALUE >D=
Primary Seq#	6	2	7	N	
Secondary Seq#	3	8	10	N	SEQ# WITHIN PRIMARY SEQ#
Filler	8	11	18	A	Blanks
Primary Sort					
Internal Land Key	12	19	30	N	
ACTEXT					CROWN TITLE TEXT
General Text	<u>60</u>	31	90	A	
Total Bytes	90				

5.1.5 ATSLAND RECORD E

<u>Field Name</u>	<u>No. Of Bytes</u>	<u>From</u>	<u>To</u>	<u>Mode</u>	<u>Description</u>
FORMAT 1					
Secondary Sort					
Record Code	1	1	1	A	VALUE >E=
Primary Seq#	6	2	7	N	
Secondary Seq#	3	8	10	N	VALUE >000
Filler	8	11	18	A	Blanks
Primary Sort					
Internal Land Key	12	19	30	N	
APATENT					FREEHOLD LAND DETAIL
Creation Date	7	31	37	N	9(7)
Last Update Date	7	38	44	N	9(7)
Last Update Time	7	45	51	N	9(7)
Effective Date	7	52	58	N	9(7)
Title Area (ha)	9	59	67	N	9(6)V999
Title Holder Name	60	68	127	A	
Surface Activity Id	12	128	139	A	
Filler	<u>6</u>	140	143	A	Blanks
Total Bytes	145				

LSAS SURFACE DATA FILES

Revised: September 8, 2009

ATSLAND RECORD E cont'd

<u>Field Name</u>	<u>No. Of Bytes</u>	<u>From</u>	<u>To</u>	<u>Mode</u>	<u>Description</u>
FORMAT 2					
Secondary Sort					
Record Code	1	1	1	A	VALUE >E=
Primary Seq#	6	2	7	N	
Secondary Seq#	3	8	10	N	SEQ# WITHIN PRIMARY SEQ#
Filler	8	11	18	A	Blanks
Primary Sort					
Internal Land Key	12	19	30	N	
APTTEXT					FREEHOLD TEXT
General Text	<u>60</u>	31	90	A	
Total Bytes	90				

5.1.6 ATSLAND RECORD F

<u>Field Name</u>	<u>No. Of Bytes</u>	<u>From</u>	<u>To</u>	<u>Mode</u>	<u>Description</u>
Secondary Sort					
Record Code	1	1	1	A	VALUE >F=
Primary Seq#	6	2	7	N	
Secondary Seq#	3	8	10	N	VALUE =000
Filler	8	11	18	A	Blanks
Primary Sort					
Internal Land Key	12	19	30	N	
ALTEXT					ATSLAND TEXT
General Text	<u>60</u>	31	90	A	
Total Bytes	90				

5.2 PBLAND FILE

File Name: LFAS.PROD.SURF.COMPTAPE.PBLAND(0)
 LFAS.PROD.DAILY.SURF.PBLAND(0)

Structure: - Medium: File
 - Density: 6250
 - Labels: SL
 - Format: VB
 - *Record Length: 150 maximum*
 - 35 minimum*
 - Block Length: 32760

* Including 4 bytes for variable block format

GENERAL RECORD STRUCTURE

<u>Record Code</u>	<u>Contents</u>
A	Detailed description of a parcel of land that is measured and located by plan, block, lot. Contains lands that presently are or at one time were crown land.
B	Activities and general text.
C	Exception code and text used to identify exceptional land.
D	Crown title information and text relating to a parcel of land.
E	Freehold information and text relating to a parcel of land.
F	General remarks related to a parcel of land.

GENERAL RECORD STRUCTURE (CONTINUED)

<u>Secondary Sort</u>	<u>Primary Sort</u>	<u>Data Content</u>	<u>Record Length*</u>
A -----B-----	X-(13)-X	PBLLAND	100
B X-(14)-X 000	X-(13)-X	BLANK	35
B X-(14)-X XXX	X-(13)-X	JCTDATA	107
C XXXXXX 000	X-(13)-X	PEXCPTN	60
C XXXXXX XXX	X-(13)-X	PETEXT	95
D XXXXXX 000	X-(13)-X	PCRTITL	*150
D XXXXXX XXX	X-(13)-X	PCTEXT	95
E XXXXXX 000	X-(13)-X	PPATENT	*150
E XXXXXX XXX	X-(13)-X	PPTEXT	95
F XXXXXX 000	X-(13)-X	PLTEXT	95

* Including 4 bytes for variable record length

5.2.1 PBLLAND RECORD A

<u>Field Name</u>	<u>No. Of Bytes</u>	<u>From</u>	<u>To</u>	<u>Mode</u>	<u>Description</u>
Secondary sort					
Record Code	1	1	1	A	VALUE >A=
Filler	17	2	18	A	Blanks
Primary Sort					
Plan	7	19	25	A	
Block	3	26	28	A	
Lot	3	29	31	A	
PBLLAND					
PBL Land Id	13	32	44	A	
Creation Date	7	45	51	N	9(7)
Last Update Date	7	52	58	N	9(7)
Last Update Time	7	59	65	N	9(7)
Surface Ownership Code	1	66	66	A	LNDOWNSH
Title Status Code	1	67	67	A	LNDTITST
Surface Admin. Code	2	68	69	A	LNDSURAD
Additional Data Code	1	70	70	N	
Active Flag	1	71	71	A	
Approved Flag	1	72	72	A	
Surveyed Flag	1	73	73	A	LNDSURVE
Land File Flag	1	74	74	A	
Land Area (ha)	9	75	83	N	9(6)V999
Freehold Title Area (ha)	9	84	92	N	9(6)V999
Water Coverage Code	1	93	93	A	LNDWATER

LSAS SURFACE DATA FILES

Revised: September 8, 2009

PBLLAND RECORD A cont'd

Existence Code	1	94	94	A	LNDEXIST
Filler	<u>2</u>	95	96	A	Blanks
Total Bytes	96				

5.2.2 PBLAND RECORD B

<u>Field Name</u>	<u>No. Of Bytes</u>	<u>From</u>	<u>To</u>	<u>Mode</u>	<u>Description</u>
FORMAT 1					
Secondary Sort					
Record Code	1	1	1	A	VALUE >B=
Activity Id	14	2	15	A	
Seq. Number	3	16	18	N	VALUE >000
Primary Sort					
Plan	7	19	25	A	
Block	3	26	28	A	
Lot	<u>3</u>	29	31	A	
Total Bytes	31				

Note: Format 1 and Format 2 are mutually exclusive. If a Format 1 record exists on the file for a PBL, the Format 2 record will not exist. If Format 2 records exist, there will not be a format 1 record.

LSAS SURFACE DATA FILES

Revised: September 8, 2009

PBLLAND RECORD B cont'd

<u>Field Name</u>	<u>No. Of Bytes</u>	<u>From</u>	<u>To</u>	<u>Mode</u>	<u>Description</u>
FORMAT 2					
Secondary Sort					
Record Code	1	1	1	A	VALUE >B=
Activity Id	14	2	15	A	
Seq. Number	3	16	18	N	VALUE >000
Primary Sort					
Plan	7	19	25	A	
Block	3	26	28	A	
Lot	3	29	31	A	
JCTDATA					
General Text	60	32	91	A	
Land Area (ha)	9	92	100	N	9(6)V99
Filler	<u>3</u>	101	103	A	Blanks
Total Bytes	103				

5.2.3 PBLLAND - RECORD C

<u>Field Name</u>	<u>No. Of Bytes</u>	<u>From</u>	<u>To</u>	<u>Mode</u>	<u>Description</u>
FORMAT 1					
Secondary Sort					
Record Code	1	1	1	A	VALUE >C=
Primary Seq #	6	2	7	N	
Secondary Seq #	3	8	10	N	VALUE >000
Filler	8	11	18	A	Blanks
Primary Sort					
Plan	7	19	25	A	
Block	3	26	28	A	
Lot	3	29	31	A	
PEXCPTN					EXCEPTION LAND DETAIL HEADER
Creation Date	7	32	38	N	9(7)
Last Update Date	7	39	45	N	9(7)
Last Update Time	7	46	52	N	9(7)
Exception Code	1	53	53	A	LNDEXCEP
Filler	<u>3</u>	54	56	A	Blanks
Total Bytes	56				

LSAS SURFACE DATA FILES

Revised: September 8, 2009

PBLLAND - RECORD C cont'd

<u>Field Name</u>	<u>No. Of Bytes</u>	<u>From</u>	<u>To</u>	<u>Mode</u>	<u>Description</u>
FORMAT 2					
Secondary Sort					
Record Code	1	1	1	A	VALUE >C=
Primary Seq #	6	2	7	N	
Secondary Seq #	3	8	10	N	SEQ # WITHIN PRIMARY SEQ #
Filler	8	11	18	A	Blanks
Primary Sort					
Plan	7	19	25	A	
Block	3	26	28	A	
Lot	3	29	31	A	
PETEXT					EXCEPTION TEXT
General Text	<u>60</u>	32	91	A	
Total Bytes	91				

5.2.4 PBLLAND RECORD D

<u>Field Name</u>	<u>No. Of Bytes</u>	<u>From</u>	<u>To</u>	<u>Mode</u>	<u>Description</u>
FORMAT 1					
Secondary Sort					
Record Code	1	1	1	A	VALUE >D=
Primary Seq#	6	2	7	N	
Secondary Seq#	3	8	10	N	VALUE >000
Filler	8	11	18	A	Blanks
Primary Sort					
Plan	7	19	25	A	
Block	3	26	28	A	
Lot	3	29	31	A	
PCRTITL					CROWN TITLE LAND DETAIL
Creation Date	7	32	38	N	9(7)
Last Update Date	7	39	45	N	9(7)
Last Update Time	7	46	52	N	9(7)
Effective Date	7	53	59	N	9(7)
Crown Title Code	1	60	60	A	LNDTYPES
Title Area (ha)	9	61	69	N	9(6)V999
Title Holder Name	60	70	129	A	
Key File Id	<u>17</u>	130	146	A	
Total Bytes	146				

PBLLAND RECORD D cont'd

<u>Field Name</u>	<u>No. Of Bytes</u>	<u>From</u>	<u>To</u>	<u>Mode</u>	<u>Description</u>
FORMAT 2					
Secondary Sort					
Record Code	1	1	1	A	VALUE >D=
Primary Seq#	6	2	7	N	
Secondary Seq#	3	8	10	N	SEQ# WITHIN PRIMARY SEQ#
Filler	8	11	18	A	Blanks
Primary Sort					
Plan	7	19	25	A	
Block	3	26	28	A	
Lot	3	29	31	A	
PCTEXT					CROWN TITLE TEXT
General Text	<u>60</u>	32	91	A	
Total Bytes	91				

5.2.5 PBLLAND RECORD E

<u>Field Name</u>	<u>No. Of Bytes</u>	<u>From</u>	<u>To</u>	<u>Mode</u>	<u>Description</u>
FORMAT 1					
Secondary Sort					
Record Code	1	1	1	A	VALUE >E=
Primary Seq #	6	2	7	N	
Secondary Seq #	3	8	10	N	VALUE >000
Filler	8	11	18	A	Blanks
Primary Sort					
Plan	7	19	25	A	
Block	3	26	28	A	
Lot	3	29	31	A	
PPATENT					FREEHOLD LAND DETAIL
Creation Date	7	32	38	N	9(7)
Last Update Date	7	39	45	N	9(7)
Last Update Time	7	46	52	N	9(7)
Effective Date	7	53	59	N	9(7)
Title Area (ha)	9	60	68	N	9(6)V999
Title Holder Name	60	69	128	A	
Surface Activity Id	12	129	140	A	ACTDISPO
Filler	<u>6</u>	141	143	A	Blanks
Total Bytes	146				

LSAS SURFACE DATA FILES

Revised: September 8, 2009

PBLLAND RECORD E cont'd

<u>Field Name</u>	<u>No. Of Bytes</u>	<u>From</u>	<u>To</u>	<u>Mode</u>	<u>Description</u>
FORMAT 2					
Secondary Sort					
Record Code	1	1	1	A	VALUE >E=
Primary Seq #	6	2	7	N	
Secondary Seq #	3	8	10	N	SEQ # WITHIN PRIMARY SEQ. #
Filler	8	11	18	A	Blanks
Primary Sort					
Plan	7	19	25	A	
Block	3	26	28	A	
Lot	3	29	31	A	
PPTEXT					FREEHOLD TEXT
General Text	<u>60</u>	32	91	A	
Total Bytes	91				

5.2.6 PBLAND RECORD F

<u>Field Name</u>	<u>No. Of Bytes</u>	<u>From</u>	<u>To</u>	<u>Mode</u>	<u>Description</u>
Secondary Sort					
Record Code	1	1	1	A	VALUE >F=
Primary Seq#	6	2	7	N	
Secondary Seq#	3	8	10	N	VALUE >000
Filler	8	11	18	A	Blanks
Primary Sort					
Plan	7	19	25	A	
Block	3	26	28	A	
Lot	3	29	31	A	
PLTEXT					PBL LAND TEXT
General Text	<u>60</u>	32	91	A	
Total Bytes	91				

5.3 ACTIVITY FILE

File Name: LFAS.PROD.SURF.COMPTAPE.ACTIVITY(0)
LFAS.PROD.DAILY.SURF.ACTIVITY(0)

Structure: - Medium: File
- Density: 6250
- Labels: SL
- Format: VB
- *Record Length: 319 maximum*
82 minimum*
- Block Length: 32760

* Including 4 bytes for Variable Block format

GENERAL RECORD STRUCTURE

Record Code	Contents
A	Contains the Activity key and Detail as well as Client and Address codes.
B	Text pertaining to the particular activity.

GENERAL RECORD STRUCTURE (CONTINUED)

<u>Secondary Sort</u>	<u>Primary Sort</u>	<u>Data Content</u>	<u>Record Length*</u>
A 000	E X-(13)-X	Encumbrance Detail	*103
A 000	G X-(13)-X	Geoadmin Detail	146
A 000	I X-(13)-X	Interim Detail	*205
A 000	O X-(13)-X	Posting Detail	122
A 000	R X-(13)-X	Reservation Detail	*171
A 000	S X-(13)-X	Surface Disp. Detail	*319
A 000	U X-(13)-X	Subdivision Detail	122
B XXX	X X-(13)-X	Text	82

* Including 4 bytes for variable record length

5.3.1 ACTIVITY RECORD CODE A, Encumbrance Activities

<u>Field Name</u>	<u>No. Of Bytes</u>	<u>From</u>	<u>To</u>	<u>Mode</u>	<u>Description</u>
Secondary Sort					
Record Code	1	1	1	A	VALUE >A=
Filler	3	2	4	N	VALUE >000
Primary Sort					
Activity Type	1	5	5	A	VALUE >E=
Activity Number	9	6	14	A	
Filler	4	15	18	A	Blanks
Encumbrance Detail					
Filler	10	19	28	N	Blanks
Encumbrance Code	3	29	31	A	ACTENCUM
Encumbrance Id	6	32	37	N	
Creation Date	7	38	44	N	9(7)
Last Update Date	7	45	51	N	9(7)
Last Update Time	7	52	58	N	9(7)
Effective Date	7	59	65	N	9(7)
Discharge Date	7	66	72	N	9(7)
Status Code	1	73	73	A	TRNENCST
Key File Id	17	74	90	A	
LTO No Id	<u>9</u>	91	99	A	
Total Bytes	99				

5.3.2 ACTIVITY RECORD CODE A, Geoadmin Activities

<u>Field Name</u>	<u>No. Of Bytes</u>	<u>From</u>	<u>To</u>	<u>Mode</u>	<u>Description</u>
Secondary Sort					
Record Code	1	1	1	A	VALUE >A=
Filler	3	2	4	N	VALUE >000
Primary Sort					
Activity Type	1	5	5	A	VALUE >G=
Activity Number	11	6	16	A	
Filler	2	17	18	A	Blanks
Geoadmin Detail					
Filler	10	19	28	N	Blanks
Geo-Admin Code	3	29	31	A	
Geo-Admin Area Code	4	32	35	A	
Geo-Admin Sub-Area Code	4	36	39	A	
Creation Date	7	40	46	N	9(7)
Last Update Date	7	47	53	N	9(7)
Last Update Time	7	54	60	N	9(7)
Agency Responsible	30	61	90	A	
Area Name	40	91	130	A	
Geo-Admin Area (ha)	11	131	141	N	9(8)V999
Status Code	<u>1</u>	142	142	A	GEOSTATU
Total Bytes	142				

* Note - this field will hold the Geo-Admin Type Name if only the first level (Geo-Admin Code) of the key has data. It will hold the Geo-Admin Area Name if both the first level and the second level (Geo-Admin Area Code) have data. It will hold the Geo-Admin Sub Area Name if all three levels of the key contain data.

5.3.3

ACTIVITY RECORD CODE A, Interim Activities

<u>Field Name</u>	<u>No. Of Bytes</u>	<u>From</u>	<u>To</u>	<u>Mode</u>	<u>Description</u>
Secondary Sort					
Record Code	1	1	1	A	VALUE >A=
Filler	3	2	4	N	VALUE >000
Primary Sort					
Activity Type	1	5	5	A	VALUE >I =
Activity Number	13	6	18	A	
Interim Detail					
Filler	10	19	28	N	Blanks
Interim Code	2	29	30	A	
Interim Quarter #	9	31	39	N	
Interim Serial #	2	40	41	N	
Creation Date	7	42	48	N	9(7)
Last Update Date	7	49	55	N	9(7)
Last Update Time	7	56	62	N	9(7)
Conversion Control #	9	63	71	A	
Effective Date	7	72	78	N	9(7)
Type Code	2	79	80	A	ACTINTPE
Status Code	1	81	81	A	ACINTSTA
Entry Area	11	82	92	N	9(8)V999
Filler	60	93	152	A	Blanks
Key File Id	17	153	169	A	
LTO No Id	14	170	183	A	
FLW Plan No	6	184	189	A	
FLW Plan Code	3	190	192	A	LNDPLANS

ACTIVITY RECORD CODE A, Interim Activities cont'd

<u>Field Name</u>	<u>No. Of Bytes</u>	<u>From</u>	<u>To</u>	<u>Mode</u>	<u>Description</u>
Order in Council Id	9	193	201	A	
Total Bytes	201				

5.3.4

ACTIVITY RECORD CODE A, Auction, Tender, Posting Activities

<u>Field Name</u>	<u>No. Of Bytes</u>	<u>From</u>	<u>To</u>	<u>Mode</u>	<u>Description</u>
Secondary Sort					
Record Code	1	1	1	A	VALUE >A=
Filler	3	2	4	N	VALUE >000
Primary Sort					
Activity Type	1	5	5	A	VALUE >0
Activity Number	9	6	14	A	
Filler	4	15	18	A	Blanks
Posting Detail					
Filler	10	19	28	N	Blanks
Activity Type Code	3	29	31	A	ACTPOSTI
Activity Serial #	6	32	37	N	
Creation Date	7	38	44	N	9(7)
Last Update Date	7	45	51	N	9(7)
Last Update Time	7	52	58	N	9(7)
Opening Date	7	59	65	N	9(7)
Cancellation Date	7	66	72	N	9(7)
Closing Date	7	73	79	N	9(7)
Area (ha)	11	80	90	N	9(8)V999
Activity Code	3	91	105	A	OCCURS 5 TIMES
Status	1	106	106	A	TRNPSTST
ADC Committee	2	107	108	A	ACTDEVCO

ACTIVITY RECORD CODE A, Auction, Tender, Posting Activities cont'd

<u>Field Name</u>	<u>No. Of Bytes</u>	<u>From</u>	<u>To</u>	<u>Mode</u>	<u>Description</u>
Disposed Date	7	109	115	N	9(7)
Posted Flag	1	116	116	A	
Filler	<u>2</u>	117	118	A	Blanks
Total Bytes	118				

5.3.5

ACTIVITY RECORD CODE A, Reservation/Notation Activities

<u>Field Name</u>	<u>No. Of Bytes</u>	<u>From</u>	<u>To</u>	<u>Mode</u>	<u>Description</u>
Secondary Sort					
Record Code	1	1	1	A	VALUE >A=
Filler	3	2	4	N	VALUE >000
Primary Sort					
Activity Type	1	5	5	A	VALUE >R=
Activity Number	11	6	16	A	
Filler	1	17	17	A	Blank
Client Type	1	18	18	A	VALUE B, S, O or Blank
Reservation Detail					
Client Id	10	19	28	N	
Activity Type Code	3	29	31	A	ACTRESVS
Activity Serial Id	6	32	37	N	
Filler	2	38	39	N	
Creation Date	7	40	46	N	9(7)
Last Update Date	7	47	53	N	9(7)
Last Update Time	7	54	60	N	9(7)
Application Date	7	61	67	N	9(7)
Effective Date	7	68	74	N	9(7)
Amendment Date	7	75	81	N	9(7)
Amendment Approval Dte	7	82	88	N	9(7)
Cancellation Date	7	89	95	N	9(7)
Renewal Date	7	96	102	N	9(7)
Expiry Date	7	103	109	N	9(7)
Purpose Code	4	110	113	A	ACTRESPU

LSAS SURFACE DATA FILES**Revised: September 8, 2009**ACTIVITY RECORD CODE A, Reservation/Notation Activities

cont'd

<u>Field Name</u>	<u>No. Of Bytes</u>	<u>From</u>	<u>To</u>	<u>Mode</u>	<u>Description</u>
Restriction Code	1	114	114	A	ACTRESRT
Restriction Exception	3	115	126	A	OCCURS 4 TIMES ACTRESEX
Referral Required Flag	1	127	127	A	
Status Code	1	128	128	A	TRNRESST
Area (ha)	11	129	139	N	9(8)V999
Filler	4	140	143	A	VALUE '0000'
S.T.R Code	5	144	148	A	
Key File Id	17	149	165	A	
FLW Plan No	6	166	171	A	
FLW Plan Type Code	<u>3</u>	172	174	A	LNDPLANS
Total Bytes	174				

5.3.6

ACTIVITY RECORD CODE A, Surface Disposition Activities

<u>Field Name</u>	<u>No. Of Bytes</u>	<u>From</u>	<u>To</u>	<u>Mode</u>	<u>Description</u>
Secondary Sort					
Record Code	1	1	1	A	VALUE >A=
Filler	3	2	4	N	VALUE >000
Primary Sort					
Activity Type	1	5	5	A	VALUE >S=
Activity Number	10	6	15	A	
Filler	2	16	17	A	VALUE '00'
Client Type	1	18	18	A	VALUE B, S, O or Blank
Surface Detail					
Client Id	10	19	28	N	
Activity Type Code	3	29	31	A	ACTDISPO
Activity Serial Id	7	32	38	A	
Filler	2	39	40	N	
Creation Date	7	41	47	N	9(7)
Last Update Date	7	48	54	N	9(7)
Last Update Time	7	55	61	N	9(7)
Application Date	7	62	68	N	9(7)
Letter of Authority Date	7	69	75	N	9(7)
Effective Date	7	76	82	N	9(7)
Amendment Date	7	83	89	N	9(7)
Cancellation Date	7	90	96	N	9(7)
Renewal Date	7	97	103	N	9(7)
Expiry Date	7	104	110	N	9(7)

ACTIVITY RECORD CODE A, Surface Disposition Activities

cont'd

<u>Field Name</u>	<u>No. Of Bytes</u>	<u>From</u>	<u>To</u>	<u>Mode</u>	<u>Description</u>
Reinstatement Date	7	111	117	N	9(7)
Amend LOA Date	7	118	124	N	9(7)
Filler	4	125	128	N	VALUE '0000'
Status Code	1	129	129	A	CCDISPST
Surf. Disp. Area (ha)	11	130	140	N	9(8) V999
Key File Id	17	141	157	A	
Purchase Option Flag	1	158	158	A	
Near Water Flag	1	159	159	A	
Special Land Purpose Code	2	160	161	A	ADSLPURP
Purpose Ext. Text	25	162	186	A	
Client File	25	187	211	A	
Dimension	67	212	278	A	
Activity GST Flag	1	279	279	A	
Title Issued Flag	1	280	280	A	
CRP Number	10	281	290	A	
Area Operating Agreement Number	<u>25</u>	291	315	A	
Total Bytes	315				

5.3.7 ACTIVITY RECORD CODE A, Subdivision Activities

<u>Field Name</u>	<u>No. Of Bytes</u>	<u>From</u>	<u>To</u>	<u>Mode</u>	<u>Description</u>
Secondary Sort					
Record Code	1	1	1	A	VALUE >A=
Filler	3	2	4	N	VALUE >000
Primary Sort					
Activity Type	1	5	5	A	VALUE 'U'
Activity Number	7	6	12	A	
Filler	6	13	18	A	Blanks
Subdivision Detail					
Filler	10	19	28	A	Blanks
Plan Number	7	29	35	A	
Creation Date	7	36	42	N	9(7)
Last Update Date	7	43	49	N	9(7)
Last Update Time	7	50	56	N	9(7)
Subdivision Name	40	57	96	A	
Registered Flag	1	97	97	A	
Area (ha)	11	98	108	N	9(8) V999
Status Code	1	109	109	A	LNDSTPBL
FLW Plan No	6	110	115	A	
FLW Plan Code	<u>3</u>	116	118	A	LNDPLANS
Total Bytes	118				

5.3.8 ACTIVITY RECORD CODE B

<u>Field Name</u>	<u>No. Of Bytes</u>	<u>From</u>	<u>To</u>	<u>Mode</u>	<u>Description</u>
Secondary Sort					
Record Code	1	1	1	A	VALUE >B=
Sequence Number	3	2	4	N	
Primary Sort					
Activity Type	1	5	5	A	
Activity Number	13	6	18	A	
Activity Detail					
General Text	<u>60</u>	19	78	A	
Total Bytes	78				

5.4 CLIENT FILE

File Name: LFAS.PROD.SURF.COMPTAPE.CLIENT(0)
LFAS.PROD.DAILY.SURF.CLIENT (0)

Structure: - Medium: File
- Density: 6250
- Labels: SL
- Format: VB
- Record length: 366 maximum*
171 minimum*
- Block Length: 32760

* Including 4 bytes for Variable Block format

GENERAL RECORD STRUCTURE

Record Code	Contents
A	Client detail information such as status code, client type, corporate access number and registration code.
B	Client primary and alias name.
C	Client address and c/o address information.

GENERAL RECORD STRUCTURE (CONTINUED)

<u>Secondary Sort</u>	<u>Primary Sort</u>	<u>Data Content</u>	<u>Record length*</u>
A	x-(7)-x	Client	171
B	x-(7)-x	Name	173
C	x-(7)-x	Address	366

* Including 4 bytes for variable record length

5.4.1 CLIENT RECORD A

<u>Field Name</u>	<u>No. Of Bytes</u>	<u>From</u>	<u>To</u>	<u>Mode</u>	<u>Description</u>
Secondary Sort					
Record Code	1	1	1	A	VALUE >A=
Primary Sort					
Client Number	7	2	8	N	
Client					
Client Id	7	9	15	N	
Creation Date	7	16	22	N	9(7)
Last Update Date	7	23	29	N	9(7)
Last Update Time	7	30	36	N	9(7)
Client Status Code	1	37	37	A	CLTSTATS
Client Type Code	2	38	39	A	CLTTYPE
Corporation Access Nbr	10	40	49	N	
Trade/Partnership Name	10	50	59	A	
Registration Code	1	60	60	A	CLTREGCD
GST Reg Nbr	15	61	75	A	
Filler	10	76	85	A	Blanks
Electronic Fund Transfer	2	86	87	A	VALUE >Y= or >N=
Surface Co. File #	10	88	97	A	
Registered Agency Code	2	98	99	A	CLTAGENI
Amalgamation Effect. Date	7	100	106	N	9(7)
Amalgamation Proc. Date	7	107	113	N	9(7)
CORES Status Change Effective Date	7	114	120	N	9(7)

LSAS SURFACE DATA FILES

Revised: September 8, 2009

CLIENT RECORD A cont'd

<u>Field Name</u>	<u>No. Of Bytes</u>	<u>From</u>	<u>To</u>	<u>Mode</u>	<u>Description</u>
CORES Status Change Proc. Date	7	121	127	N	9(7)
Other Co. Status Code	2	128	129	A	CLTOTHR
Other Co. Status Code Effect. Date	7	130	136	N	9(7)
Other Co. Status Code Proc. Date	7	137	143	N	9(7)
GST Exempt Indicator	1	144	144	A	VALUE >Y= or >N=
Industry Segment	1	145	145	A	Blanks
MRIS Code	7	146	152	N	
EUB Code	4	153	156	A	
Mineral Royalty Indebt	1	157	157	A	
Filler	<u>10</u>	158	167	A	Blanks
Total Bytes	167				

5.4.2 CLIENT RECORD B

<u>Field Name</u>	<u>No. Of Bytes</u>	<u>From</u>	<u>To</u>	<u>Mode</u>	<u>Description</u>
Secondary Sort					
Record Code	1	1	1	A	VALUE >B=
Primary Sort					
Client Number	7	2	8	N	
Name					
Creation Date	7	9	15	N	9(7)
Last Update Date	7	16	22	N	9(7)
Last Update Time	7	23	29	N	9(7)
Search Name	20	30	49	A	
Client Name 1	35	50	84	A	
Client Name 2	35	85	119	A	
Client Name 3	35	120	154	A	
Primary Name Flag	1	155	155	A	
Name Change Effect. Date	7	156	162	N	9(7)
Name Change Proc. Date	<u>7</u>	163	169	N	9(7)
Total Bytes	169				

5.4.3 CLIENT RECORD C

<u>Field Name</u>	<u>No. Of Bytes</u>	<u>From</u>	<u>To</u>	<u>Mode</u>	<u>Description</u>
Secondary Sort					
Record Code	1	1	1	A	VALUE >C=
Primary sort					
Client	7	2	8	N	
Address					
Address #	3	9	11	N	
Creation Date	7	12	18	N	9(7)
Last Update Date	7	19	25	N	9(7)
Last Update Time	7	26	32	N	9(7)
Status Code	1	33	33	A	CLTADDST
Address Type Code	1	34	34	A	CLTADDTY
Mineral Ref Code	2	35	36	A	CLTMNREF
Address Change Effect. Date	7	37	43	N	9(7)
Address Change Proc. Date	7	44	50	N	9(7)
Care of Client #	7	51	57	N	
Care of Address #	3	58	60	N	
Address Text	35	61	235	A	OCCURS 5 TIMES
City/Town/Village	35	236	270	A	
Province/State	24	271	294	A	
Country	20	295	314	A	
Postal Code/Zip	9	315	323	A	
Attention Line	35	324	358	A	
Address Confirmed Flag	1	359	359	A	

CLIENT RECORD C cont'd

<u>Field Name</u>	<u>No. Of Bytes</u>	<u>From</u>	<u>To</u>	<u>Mode</u>	<u>Description</u>
Filler	3	360	362	A	Blanks
Imagis Client Id	10	363	372	A	
*Imagis Address Number	<u>5</u>	373	377	N	
*Total Bytes	377				

5.5 DOC DATA FILE

File Name: LFAS.PROD.SURF.COMPTAPE.ADDOC(0)
LFAS.PROD.DAILY.SURF.ADDOC (0)

Structure: - Medium: File
- Density: 6250
- Labels: SL
- Format: FB
- Record length: 357
- Block Length: 32487

GENERAL RECORD STRUCTURE

Record Code	Contents
A	Documentation Detail Information
B	Documentation Detail Information – Version Date

5.5.1 DOC DATA RECORD A

<u>Field Name</u>	<u>No. Of Bytes</u>	<u>From</u>	<u>To</u>	<u>Mode</u>	<u>Description</u>
Secondary Sort					
Record Code	1	1	1	A	VALUE >A=
Filler	3	2	4	A	
Primary Sort					
Activity Code	1	5	5	A	
Activity ID	13	6	18	A	
DOC DATA					
Creation Date	7	19	25	N	9(7)
Last Update Date	7	26	32	N	9(7)
Last Update Time	7	33	39	N	9(7)
OUC Owner Code	20	40	59	A	
FLW PLAN Serial Nbr	6	60	65	A	
FLW PLAN Code	3	66	68	A	LNDPLANS
FLW Plan Item	1	69	69	A	
FLW Additional Plans	61	70	130	A	
LTO Plan Nbr	7	131	137	A	
LTO Additional Plan Nbr	7	138	179	A	OCCURS 6 Times
Special Land Purpose Code	2	180	181	A	ADSLPURP
Dimension	67	182	248	A	
Plan Type	1	249	249	A	ADDOCPLN
Filler	7	250	256	A	Blank

5.5.1 DOC DATA RECORD A

<u>Field Name</u>	<u>No. Of Bytes</u>	<u>From</u>	<u>To</u>	<u>Mode</u>	<u>Description</u>
Purpose Extension Text	25	257	281	A	
Client File Nbr	16	282	297	A	
Filler	25	298	322	A	Blank
Save Excepting Area	9	323	331	N	9(6)v999
As Built Plan	1	332	332	A	
Authority Document	1	333	333	A	
Filler	3	334	336	A	

5.5.2 DOC DATA RECORD B

<u>Field Name</u>	<u>No. Of Bytes</u>	<u>From</u>	<u>To</u>	<u>Mode</u>	<u>Description</u>
Secondary Sort					
Record Code	1	1	1	A	VALUE >B=
Filler	3	2	4	A	
Primary Sort					
Activity Code	1	5	5	A	
Activity ID	13	6	18	A	
DOC DATA					
Version Date	7	19	25	N	9(7)
Filler	311	26	336	A	Blank

APPENDICES

- Appendix A - ATS Land Identifier
- Appendix B - Code/DecodeTables

APPENDIX A - ATS LAND IDENTIFIER

The following abbreviations are used in the descriptions below:

M	-	meridian
W	-	west of
RG	-	range
TWP	-	township
SC	-	section
QT	-	quarter section
LS	-	legal subdivision
QD	-	quadrant
QQ	-	quarter quadrant
SE	-	south-east quarter
SW	-	south-west quarter
NW	-	north-west quarter
NE	-	north-east quarter

External Format

<p style="text-align: center;">QT</p> <p>eg. M-RG-TWP-SC-LS-QD-QQ 4-18-085-16-11-SW-NE</p>	<p>identifies the north-east quarter of the south-west quadrant of legal subdivision 11 in section 16 of township 85 in range 18 west of the fourth meridian.</p>
<p>eg. 5-25-119-22-NE</p>	<p>identifies the north east quarter of section 22</p>
<p>eg. 6-03-062-19</p>	<p>identifies all of section 19.</p>

Internal Format

Internal formats for M, RG, TWP, and SC are the same as the external format. Internal formats for QT, LS, QD, and QQ are each single digits where values 5 through 8 represent Aquarters≅ of the next highest element in the identifier.

				Q	L	Q	Q		
	M	RG	TWP	SC	T	S	D	Q	
eg	4	18	085	16	7	5	6	7	identifies a quarter quadrant
eg	5	25	119	22	8	0	0	0	identifies a quarter section
eg	6	03	062	19	0	0	0	0	identifies a section

Value ranges for internal variables are:

- M - range 4, 5, 6
- RG - range 1 - 30 for M = 4
1 - 28 for M = 5
1 - 14 for M = 6
- TWP - range 001 - 126 in Alberta
- fractional townships exist along the 5th and 6th meridian and the B.C. border.
- SC - range 00 - 36 (00 indicates a complete township)
- QT - range 0, 5 - 8
- value interpretation:
0 = complete section
5 = SE quarter of section
6 = SW quarter of section
7 = NW quarter of section
8 = NE quarter of section
- value must = 0 if SC = 00

LSAS SURFACE DATA FILES

Revised: September 8, 2009

- LS
- range 0, 5 - 8
 - value interpretation:
 - 0 = complete quarter section
 - 5 = LS 1 for SE quarter (QT = 5)
 - LS 3 for SW quarter (QT = 6)
 - LS 11 for NW quarter (QT = 7)
 - LS 9 for NE quarter (QT = 8)
 - 6 = LS 2 for SE quarter (QT = 5)
 - LS 4 for SW quarter (QT = 6)
 - LS 12 for NW quarter (QT = 7)
 - LS 10 for NE quarter (QT = 8)
 - 7 = LS 7 for SE quarter (QT = 5)
 - LS 5 for SW quarter (QT = 6)
 - LS 13 for NW quarter (QT = 7)
 - LS 15 for NE quarter (QT = 8)
 - 8 = LS 8 for SE quarter (QT = 5)
 - LS 6 for SW quarter (QT = 6)
 - LS 14 for NW quarter (QT = 7)
 - LS 16 for NE quarter (QT = 8)
 - value must = 0 if QT = 0

- QD
- range 0, 5 - 8
 - value interpretation:
 - 0 = complete legal subdivision
 - 5 = SE quarter of legal subdivision
 - 6 = SW quarter of legal subdivision
 - 7 = NW quarter of legal subdivision
 - 8 = NE quarter of legal subdivision
 - value must = 0 if LS = 0

- QQ
- range 0, 5 - 8
 - value interpretation:
 - 0 = complete quadrant
 - 5 = SE quarter of quadrant
 - 6 = SW quarter of quadrant
 - 7 = NW quarter of quadrant
 - 8 = NE quarter of quadrant
 - value must = 0 if QD = 0

APPENDIX B- Code/Decode Tables

FTP the file 'tables.txt' from the same location as the other 4 data files.

Table File Format:

Character Position

- | | |
|---------|--|
| 1 - 8 | - Table name. |
| 9 - 76 | - Table name description for first record with new table name. |
| 9 - 14 | - Code (left justified) for all records following with same table name. |
| 15 - 76 | - Code description for code on same record (if blank, then ignore code). |